

**7,773 BTUH (@ 95°F ENCLOSURE & 50°F WATER TEMPERATURES)
INDOOR/OUTDOOR, UL TYPES 12, 4 & 4X AVAILABLE**

When ambient conditions are extreme, Air-to-Water Heat Exchangers by Thermal Edge provide reliable, efficient, and cost-effective solutions. Ideal for high ambient conditions and tough industrial environments, these air-to-water heat exchangers provide contaminant-free cooling while minimizing energy use and maintenance cost.



Key Design Features

- Protection from outdoor contaminants with a closed loop design
- Constant elimination of condensate
- Easy maintenance with a filter free design
- Flexible application with the narrow body style fitting 12" deep enclosures
- Eliminates water and corrosion buildup in washdown applications with a sloped roof design and seam welded shroud
- Ruggedly designed for manufacturing environments in powder coated steel or corrosion resistant stainless steel
- Maintains UL Tested NEMA Type 12, 4, and 4X
- Ambient operating temperature: 34°F - 140°F
- Overall dimensions: 29" H x 11.8" W x 6" D

OPTIONS:

- Integrated digital temperature controller
- Solenoid water valve
- Water Leak Detection Switch
- Corrosive environment package
- Open door kill switch
- Aluminum or 316 stainless steel housing
- Enclosure mounted controller
- Dry contact alarm
- Remote monitoring options
- UL power cord

APPLICATIONS

Ideal for food processing plants, agricultural irrigation, waste-water treatment, automotive plants, flour milling and mining operations where water is readily available onsite.

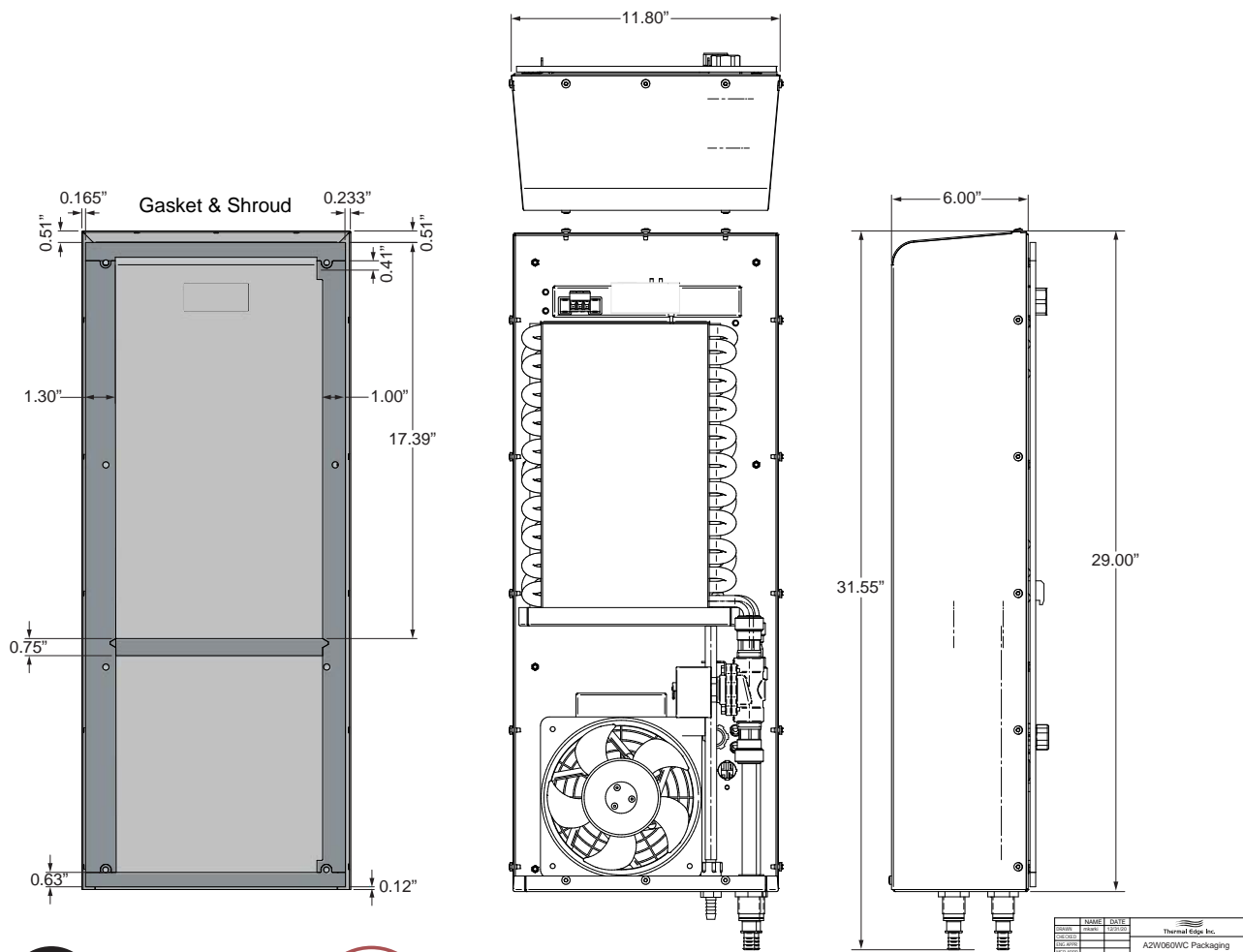
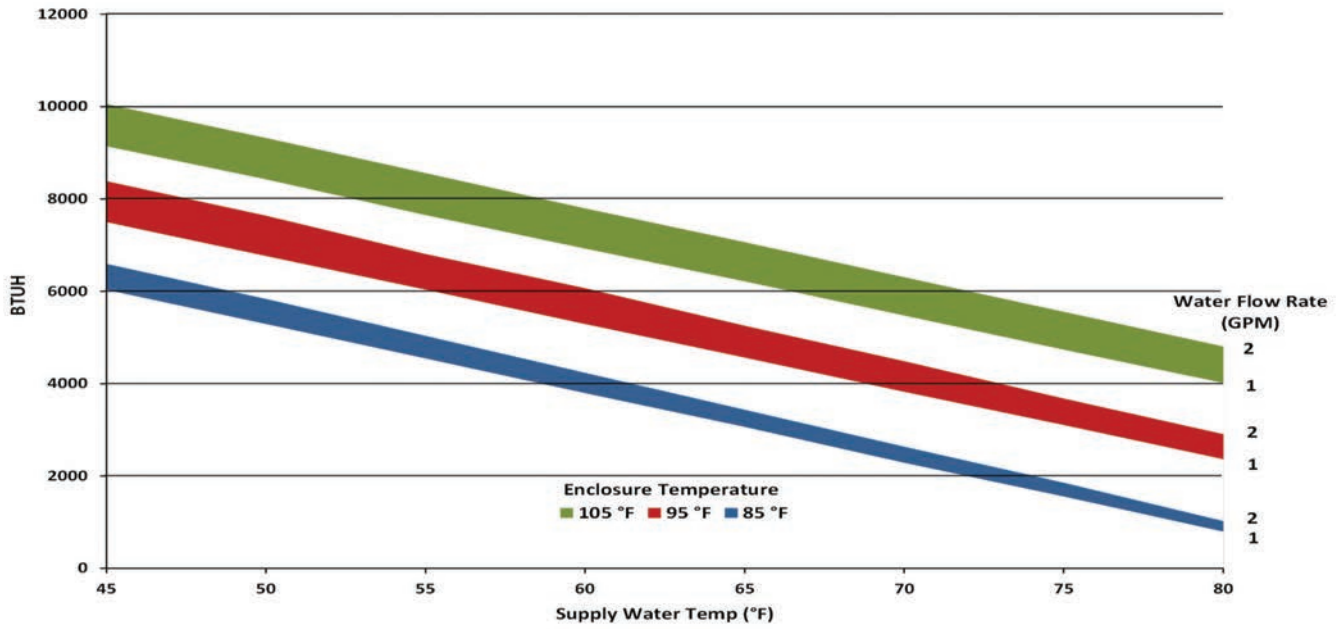
ACCESSORIES:

Water supply shutoff valves



Model	UL Type	Material	Voltage/Phase/Hz.	Running Amps	Air Flow Rate (CFM @ 0 Static Pressure)	H x W x D	Weight (lbs.)
A2W601212	12	Powder coated steel	115/1/50-60	0.59	234	29" x 11.8" x 6"	33.75
A2W601204	4	Powder coated steel	115/1/50-60	0.59	234	29" x 11.8" x 6"	33.75
A2W60124X	4X	Stainless steel	115/1/50-60	0.59	234	29" x 11.8" x 6"	33.75
A2W602312	4X	Powder coated steel	230/1/50-60	0.38	234	29" x 11.8" x 6"	33.75
A2W602304	12	Powder coated steel	230/1/50-60	0.38	234	29" x 11.8" x 6"	33.75
A2W60234X	4	Stainless steel	230/1/50-60	0.38	234	29" x 11.8" x 6"	33.75
A2W604812	4X	Powder coated steel	460/1/50-60	0.19	234	29" x 11.8" x 6"	33.75
A2W604804	12	Powder coated steel	460/1/50-60	0.19	234	29" x 11.8" x 6"	33.75
A2W60484X	4	Stainless steel	460/1/50-60	0.19	234	29" x 11.8" x 6"	33.75

Testing done under controlled conditions. Actual performance may vary.



NAME	DATE
DESIGNED	
CHECKED	
DATE	
REVISED	

Thermal Edge, Inc.
 AZW060WC Packaging
A2W060
 MANUFACTURED BY THERMAL EDGE, INC. 2740 S. 100TH AVE. SUITE 1000, WASHINGTON, WA 98040
 SCALE: _____ WEIGHT: _____ SHEET 1 OF 1



*All information subject to change without notice.