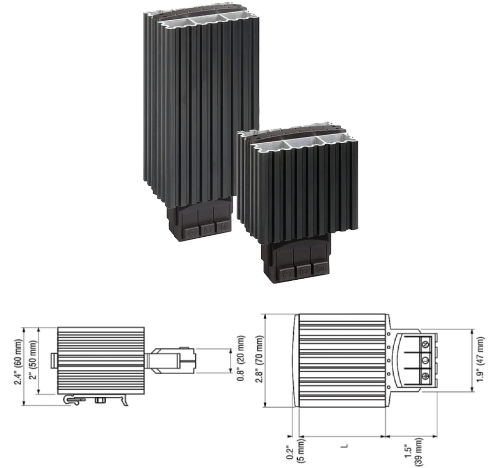


These heaters are used in enclosures where damage from condensation must be prevented, or where the temperature must be maintained above a minimum value. They are suitable for permanent operation. The aluminum profile heater body design has a chimney effect to distribute heat evenly. The cage clamp connectors save time and simplify installation.

<b>Operating Voltage*</b>	AC/DC 120-240 V (min. 110 V, max. 265 V)
<b>Heating Element</b>	PTC resistor, temperature limiting
<b>Heater Body</b>	extruded aluminum profile, anodized
<b>Connection</b>	3 cage clamps for solid wire AWG 20-14 (0.5-2.5 mm <sup>2</sup> ), and stranded wire (with wire end ferrule) AWG 20-16 (0.5-1.5 mm <sup>2</sup> )
<b>Connection Casing</b>	plastic, UL 94V-0, black
<b>Mounting</b>	clip for 35 mm DIN rail, EN 60715
<b>Mounting Position</b>	vertical airflow (air outlet up, connection on bottom)
<b>Operating / Storage Temperature</b>	-49 to +158 °F (-45 to +70 °C)
<b>Operating / Storage Humidity</b>	max. 90 %RH (non-condensing)
<b>Protection Class / Type</b>	I (grounded) / IP44
<b>Approvals</b>	UL File No. E150057 / VDE / EAC



*Dimensioned Drawings.*

- Compact size
- Wide voltage range
- Heating power adjusts to ambient temperature
- Cage clamp connectors for quick & easy wiring
- DIN rail mountable

\*Operating high voltage heaters below AC/DC 140 V reduces heating performance by approx. 10%.



Part No.	Heating Capacity**	Max Current (Inrush)	Rec. Pre-Fuse T (Time-Delay)	Length (L)	Weight (Approx.)
14000.0-00	15 W	1.5 A	2.0 A	2.56" (65 mm)	7.6 oz. (215 g)
14001.0-00	30 W	3.0 A	4.0 A	2.56" (65 mm)	7.6 oz. (215 g)
14003.0-00	45 W	3.5 A	4.0 A	2.56" (65 mm)	7.6 oz. (215 g)
14005.0-00	60 W	2.5 A	4.0 A	5.5" (140 mm)	14.1 oz. (400 g)
14006.0-00	75 W	4.0 A	6.3 A	5.5" (140 mm)	14.3 oz. (405 g)
14007.0-00	100 W	4.5 A	8.0 A	5.5" (140 mm)	14.3 oz. (405 g)
14008.0-00	150 W	9.0 A	10.0 A	8.66" (220 mm)	14.3 oz. (405 g)

\*\*at 68°F (20°C) ambient temperature