



Thermal Edge Inc.™

Compact Series Air to Air Heat Exchanger

22Watts/°C (12 Watts/°F)

Indoor/Outdoor, UL Types 12, 4 & 4X Available



Advantages

- Industry leading 5-Year Workmanship Warranty
- High efficiency heat pipe design
- Standard units include on/off switch
- NEMA Type 12, 4 & 4X
- Coated coils standard on all units
- 115VAC, 230VAC & 24VDC
- Needs no filter
- UL Listed for standard & hazardous location
- Equipment tested to perform and built to last
- Units designed with our customers' applications and environments in mind

Options

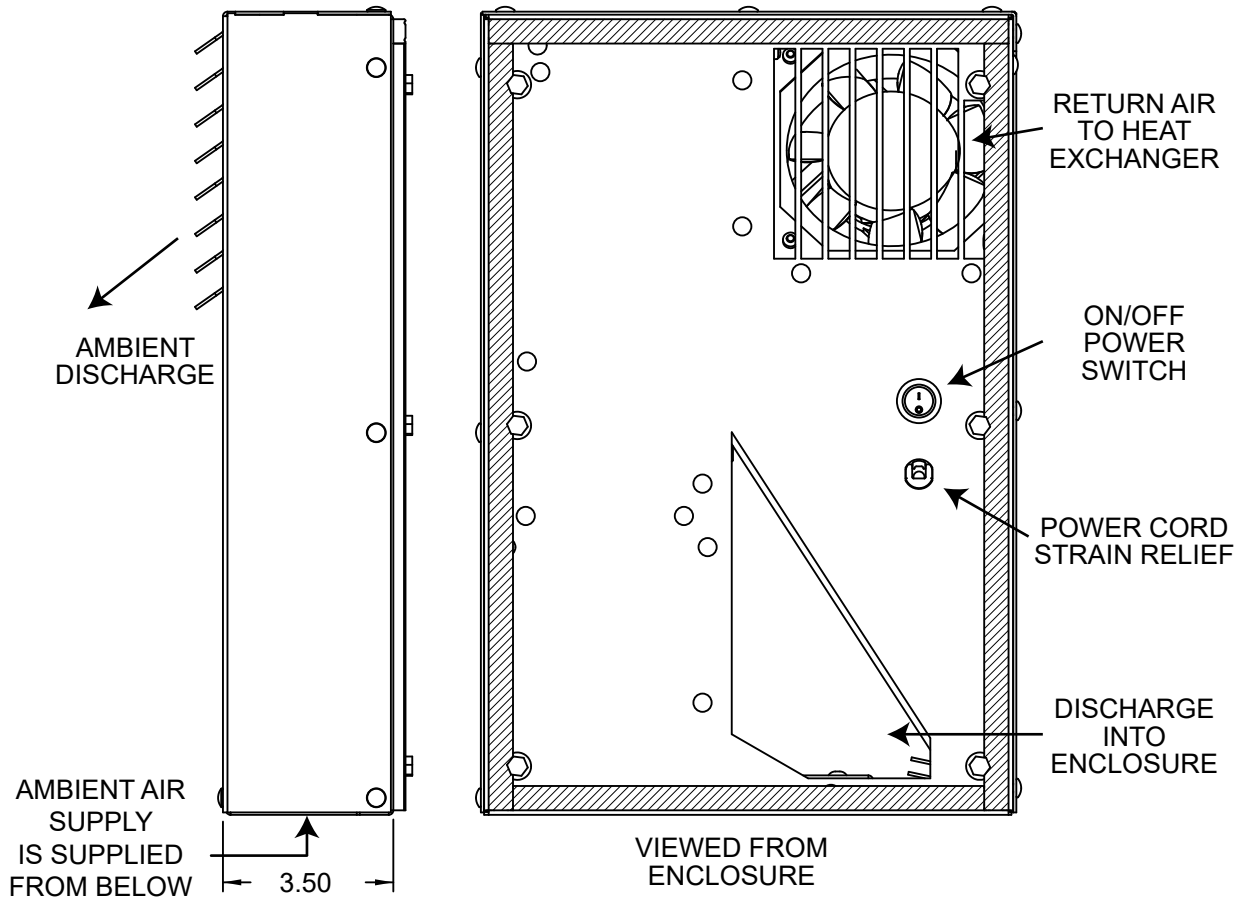
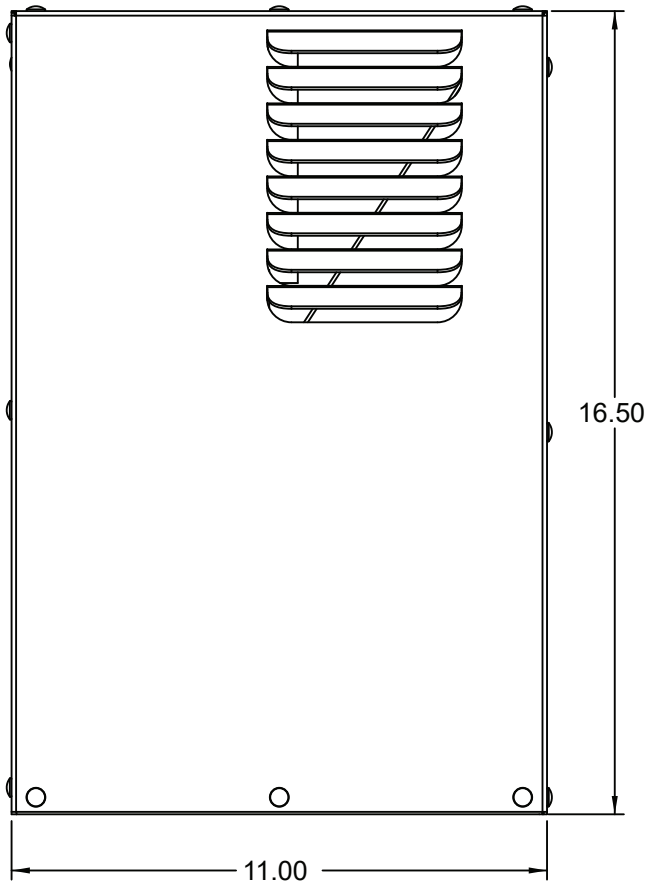
Hazardous Location Class 1, Div 2, Groups A,B,C,D (XJX)



UL File # 33288
Under UL standard 1995

Model	UL Type	Material	Voltage/Hz.	Running Amps	Watts	Max. Op. Temp.	H x W x D	Weight (lbs.) Unit / Ship
A2AC08012012	12	Powder coated steel	115/50-60	0.35	22°C (12°F)	149°F	16.5" x 11" x 3.5"	16 / 18
A2AC08012004	4	Powder coated steel	115/50-60	0.35	22°C (12°F)	149°F	16.5" x 11" x 3.5"	16 / 18
A2AC0801204X	4X	Stainless steel	115/50-60	0.35	22°C (12°F)	149°F	16.5" x 11" x 3.5"	16 / 18
A2AC08023012	12	Powder coated steel	230/50-60	0.20	22°C (12°F)	149°F	16.5" x 11" x 3.5"	16 / 18
A2AC08023004	4	Powder coated steel	230/50-60	0.20	22°C (12°F)	149°F	16.5" x 11" x 3.5"	16 / 18
A2AC0802304X	4X	Stainless steel	230/50-60	0.20	22°C (12°F)	149°F	16.5" x 11" x 3.5"	16 / 18
A2AC080D2412	12	Powder coated steel	24VDC	0.80	22°C (12°F)	149°F	16.5" x 11" x 3.5"	16 / 18
A2AC080D2404	4	Powder coated steel	24VDC	0.80	22°C (12°F)	149°F	16.5" x 11" x 3.5"	16 / 18
A2AC080D244X	4X	Stainless steel	24VDC	0.80	22°C (12°F)	149°F	16.5" x 11" x 3.5"	16 / 18

COMPACT SERIES



Get the Edge... Get Thermal Edge

Temperature Control Solutions for Electrical Enclosures

(972) 580-0200 • www.thermal-edge.com • thermalinfo@thermal-edge.com

