



Thermal Edge Inc.™

THERMOSTATS

FTD 011

Tamperproof Dual Thermostat



Two thermostats in one housing:

Tamperproof (Pre-set) Thermostat NC (normally closed): Thermostat opens on temperature rise (red module housing) - for regulating heaters or for switching signal devices when temperature has fallen below the minimum value.

Tamperproof (Pre-set) Thermostat NO (normally open): Thermostat closes on temperature rise (blue module housing) - for regulating filter fans, heat exchangers, cooling devices or for switching signal devices when temperature limit has been exceeded.

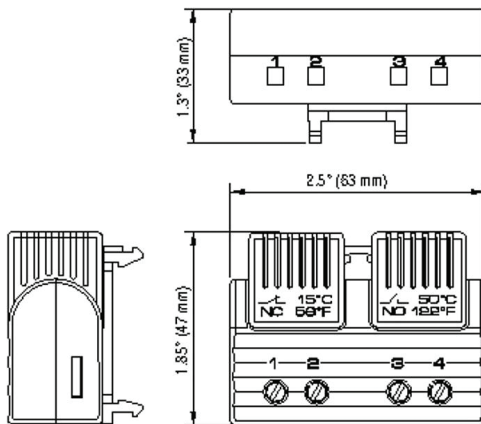
- NC / NO or NO / NO in one unit
- Fixed set points
- Color coded modules
- DIN rail mountable



Technical Data

Sensor element	thermostatic bimetal
Contact type	snap-action contact
Service life	> 100,000 cycles verified
Max. switching capacity	10 A resistive / 2 A inductive @ AC 120 V 5 A resistive / 1.6 A inductive @ AC 250 V DC 30 W
Max. inrush current	AC 16 A for 10 sec.
Connection	4-pole terminal, clamping torque 0.8 Nm max. solid wire - AWG 14 max. (2.5 mm ²) stranded wire ¹ - AWG 16 max. (1.5 mm ²)
Housing	plastic, UL 94V-0, light grey
Mounting	clip for 35 mm DIN rail, EN 60715
Mounting position	vertical
Operating/Storage temperature	-40 to +176 °F (-40 to +80 °C) -49 to +176 °F (-45 to +80 °C)
Operating/Storage humidity	max. 90 % RH (non-condensing)
Dimensions	1.85 x 2.5 x 1.3" (47 x 63 x 33 mm)
Weight	approx. 14.1 oz. (40 g)
Protection type	IP20
Approvals	UL File No. E164102 / VDE / EAC

Dimensioned Drawing



¹ When connecting with stranded wires, wire end ferrules must be used.

Part No.	NC - open on rise		NO - close on rise	
	Switch-off temperature	Switch-on temperature	Switch-on temperature	Switch-off temperature
01163.0-00	59 °F / 15 °C (± 9 °F / 5 K tolerance)	41 °F / 5 °C (± 9 °F / 5 K tolerance)	122 °F / 50 °C (± 11 °F / 7 K tolerance)	104 °F / 40 °C (± 12.6 °F / 6 K tolerance)
01163.0-01	77 °F / 25 °C (± 9 °F / 5 K tolerance)	59 °F / 15 °C (± 9 °F / 5 K tolerance)	140 °F / 60 °C (± 11 °F / 7 K tolerance)	122 °F / 50 °C (± 12.6 °F / 7 K tolerance)
01163.0-02	59 °F / 15 °C (± 9 °F / 5 K tolerance)	41 °F / 5 °C (± 9 °F / 5 K tolerance)	95 °F / 35 °C (± 11 °F / 7 K tolerance)	77 °F / 25 °C (± 12.6 °F / 6 K tolerance)
01163.0-03	77 °F / 25 °C (± 9 °F / 5 K tolerance)	59 °F / 15 °C (± 9 °F / 5 K tolerance)	122 °F / 50 °C (± 11 °F / 7 K tolerance)	104 °F / 40 °C (± 12.6 °F / 6 K tolerance)
Part No.	NO - close on rise		NO - close on rise	
	Switch-on temperature	Switch-off temperature	Switch-on temperature	Switch-off temperature
01164.0-00	122 °F / 50 °C (± 11 °F / 7 K tolerance)	104 °F / 40 °C (± 12.6 °F / 6 K tolerance)	140 °F / 60 °C (± 11 °F / 7 K tolerance)	122 °F / 50 °C (± 12.6 °F / 7 K tolerance)

All information subject to change without notice

Get the Edge... Get Thermal Edge
Temperature Control Solutions for Electrical Enclosures

(972) 580-0200 • www.thermal-edge.com • thermalinfo@thermal-edge.com