



**Thermal Edge Inc.™**

# FAN HEATERS

## CR 030

950 W

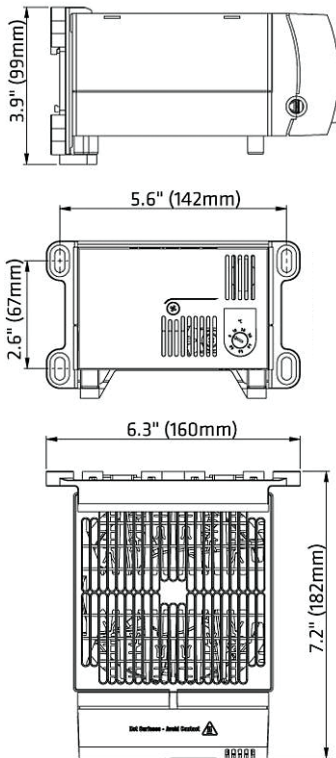
### Foot-Mount Fan Heater



The compact CR 030 high performance fan heater prevents formation of condensation and provides an evenly distributed interior air temperature in enclosures. This fan heater is available with an integrated thermostat for temperature control or a pre-set hygrosstat for humidity control. The CR 030 was designed as a stationary unit for the bottom of the enclosure. For panel or DIN rail mount, the CR 130 fan heater is recommended.

- Compact design
- Built-in overheat protection
- Integrated adjustable thermostat or fixed hygrosstat
- Double insulated plastic housing

#### Dimensioned Drawing



#### Technical Data

Heating element	high performance cartridge
Overheat protection	with automatic reset and second-tier one shot fuse
Heater body	extruded aluminum
Axial fan, ball bearing	service life 50,000 h at +77 °F (+25 °C)
Air flow, free blowing	94 cfm (160 m³/h)
Connection	2-pole terminal AWG 16 max. (1.5 mm²) with strain relief, clamping torque 0.8 Nm max.
Housing	plastic, UL 94V-0, black
Mounting	M5 screws (not included)
Mounting position	vertical airflow (air outlet up)
Operating <sup>1</sup> / Storage temperature	-49 to +158 °F (-45 to +70 °C)
Operating / Storage humidity	max. 90 %RH (non-condensing)
Dimensions	3.9 x 5.7 x 6.6" (100 x 145 x 168 mm)
Weight	approx. 3.1 lbs. (1.4 kg)
Protection class / type	II (double insulated) / IP20

<sup>1</sup> Operating temperature of heater with integrated hygrosstat: +32 to +140 °F (0 to +60 °C)

Part No.	Operating voltage	Heating capacity	Recommended pre-fuse T (time-delay)	Setting Range <sup>2</sup>	Approvals
03051.0-00	AC 230 V 50/60 Hz	950 W	6.3 A	0 to 60 °C	UL File No. E234324 / VDE / EAC
03051.0-02	AC 230 V 50/60 Hz	950 W	6.3 A	65 %RH, factory-set	UL File No. E234324 / VDE / EAC
03051.0-07	AC 230 V 50/60 Hz	950 W	6.3 A	none (no integrated controls)	UL File No. E234324 / VDE / EAC
03059.9-00	AC 120 V 50/60 Hz	950 W	10.0 A	32 to 140 °F	UL File No. E234324 / EAC
03059.9-02	AC 120 V 50/60 Hz	950 W	10.0 A	none (no integrated controls)	UL File No. E234324 / EAC

<sup>2</sup> Switching difference 12.6 °F ± 7 °F tolerance (7 K ± 4 K)



All information subject to change without notice

**Get the Edge... Get Thermal Edge**  
Temperature Control Solutions for Electrical Enclosures

(972) 580-0200 • www.thermal-edge.com • thermalinfo@thermal-edge.com