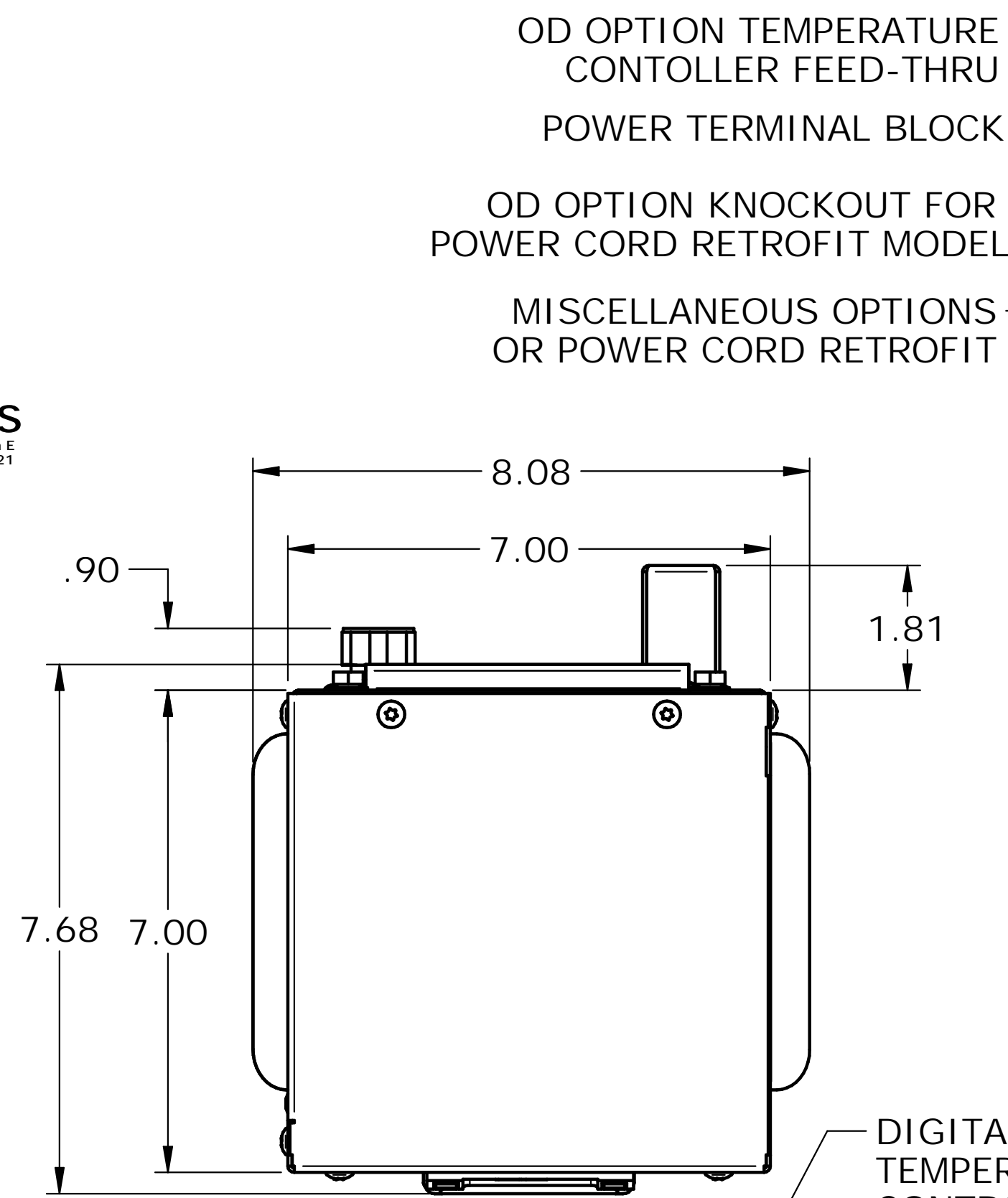


# CS011

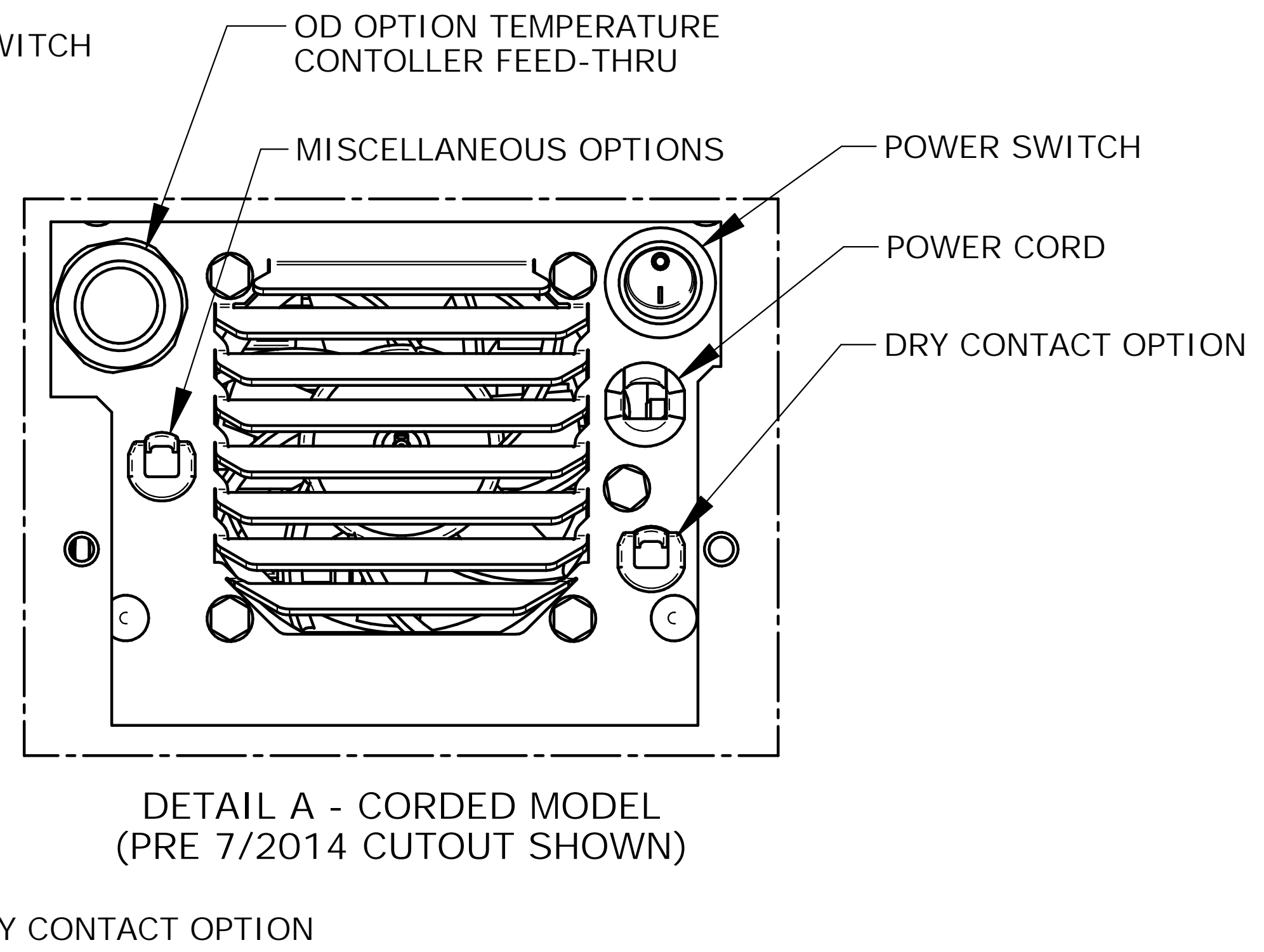
COMPACT SERIES  
CS011 CORDED AND  
TERMINAL BLOCK MODELS

Revision E  
9/3/2021

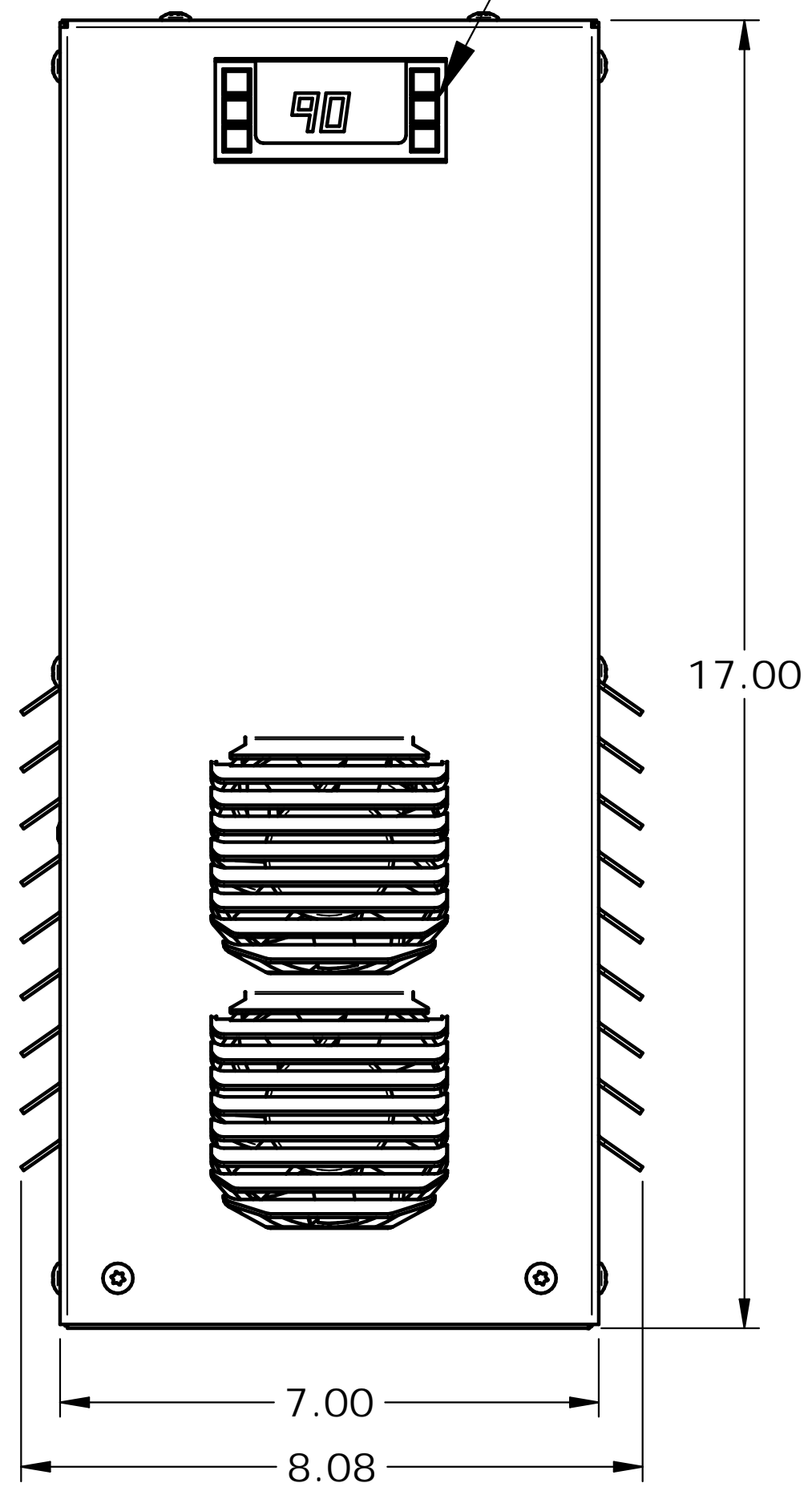
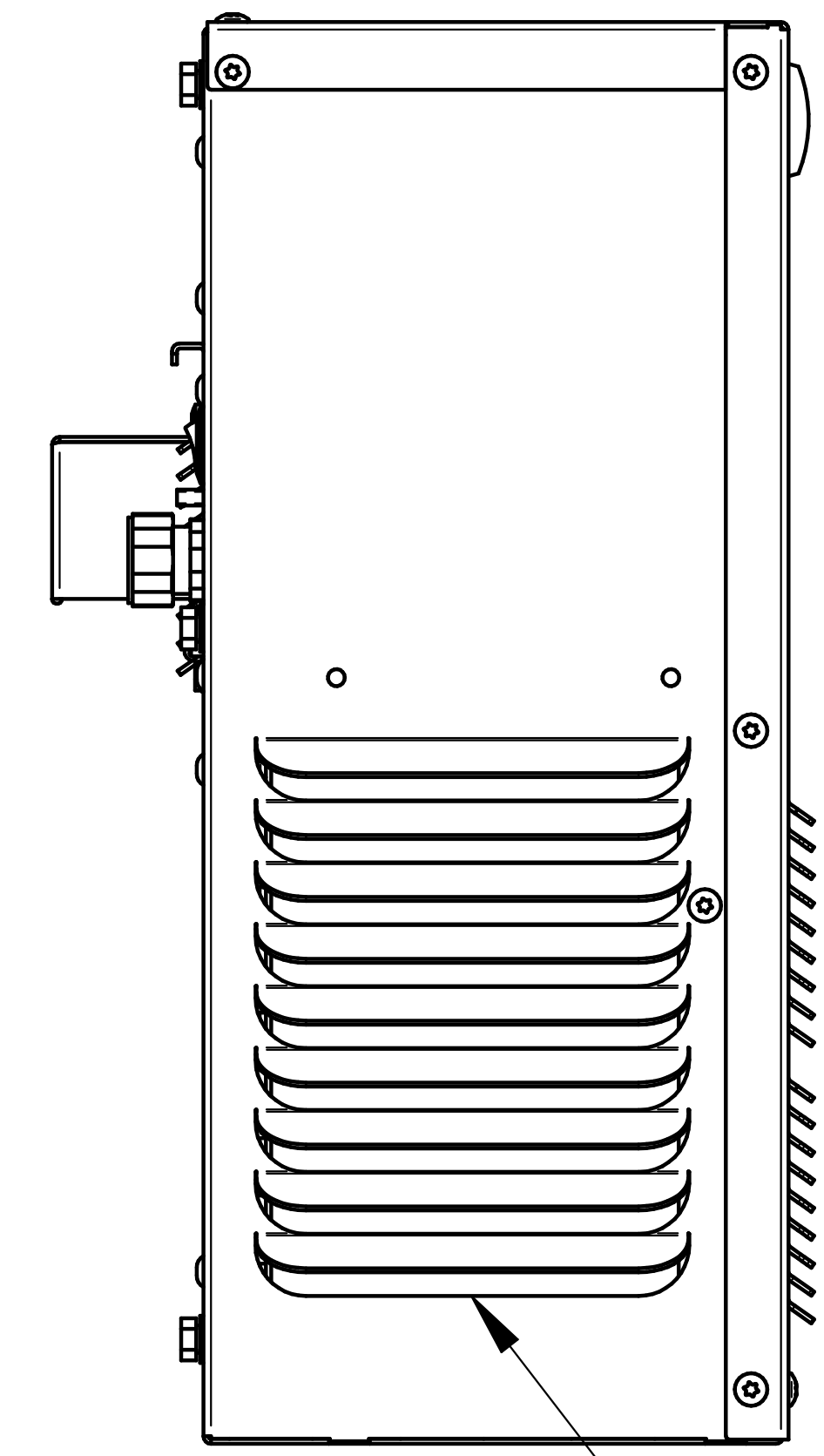


OD OPTION TEMPERATURE  
CONTROLLER FEED-THRU  
POWER TERMINAL BLOCK  
OD OPTION KNOCKOUT FOR  
POWER CORD RETROFIT MODEL  
MISCELLANEOUS OPTIONS  
OR POWER CORD RETROFIT

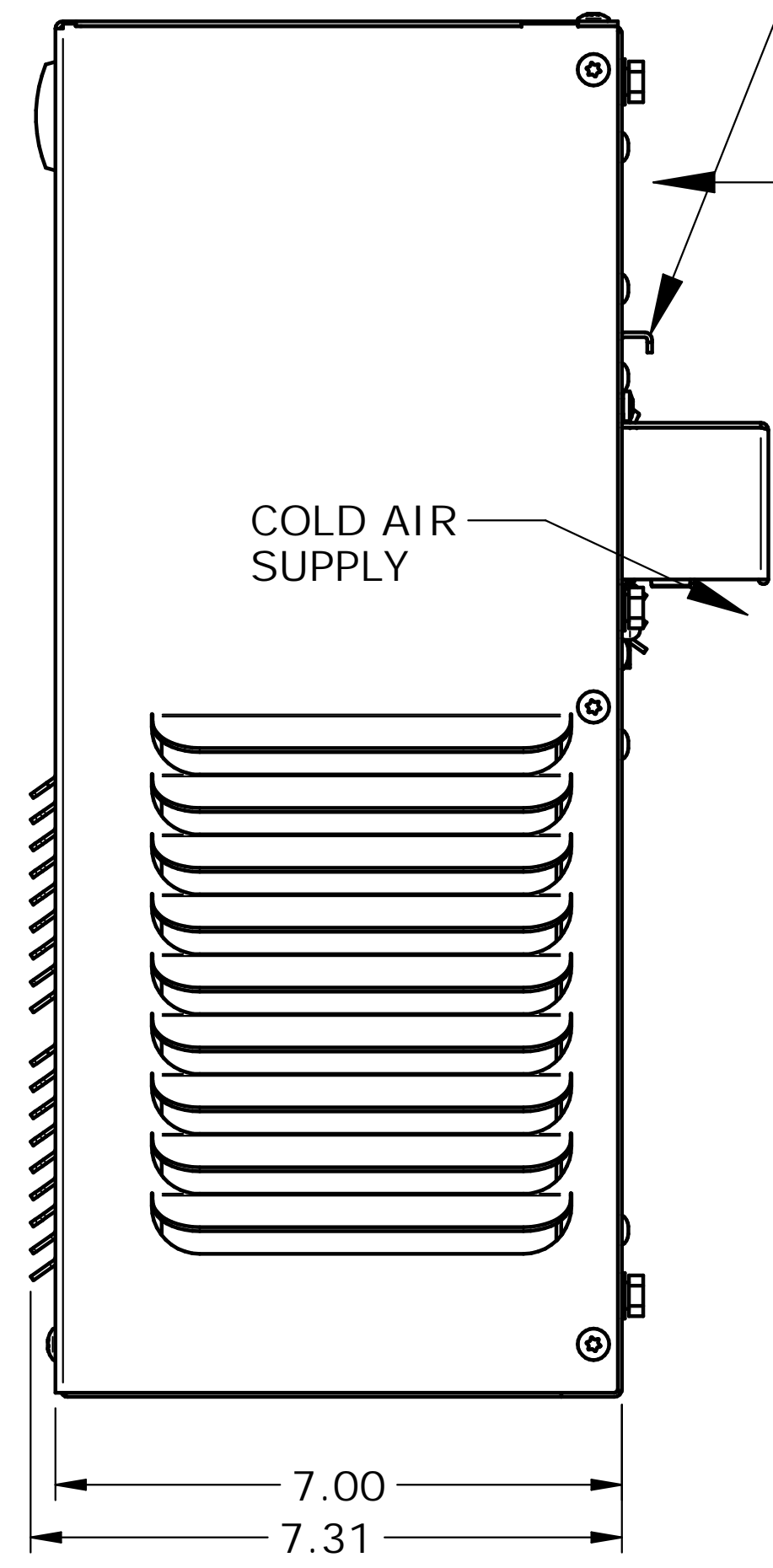
DETAIL A - TERMINAL BLOCK MODEL  
(POST 7/2014 CUTOUT REQ FOR TERM BLK,  
CAN FIT OLD CUTOUT WITH CORD ONLY)



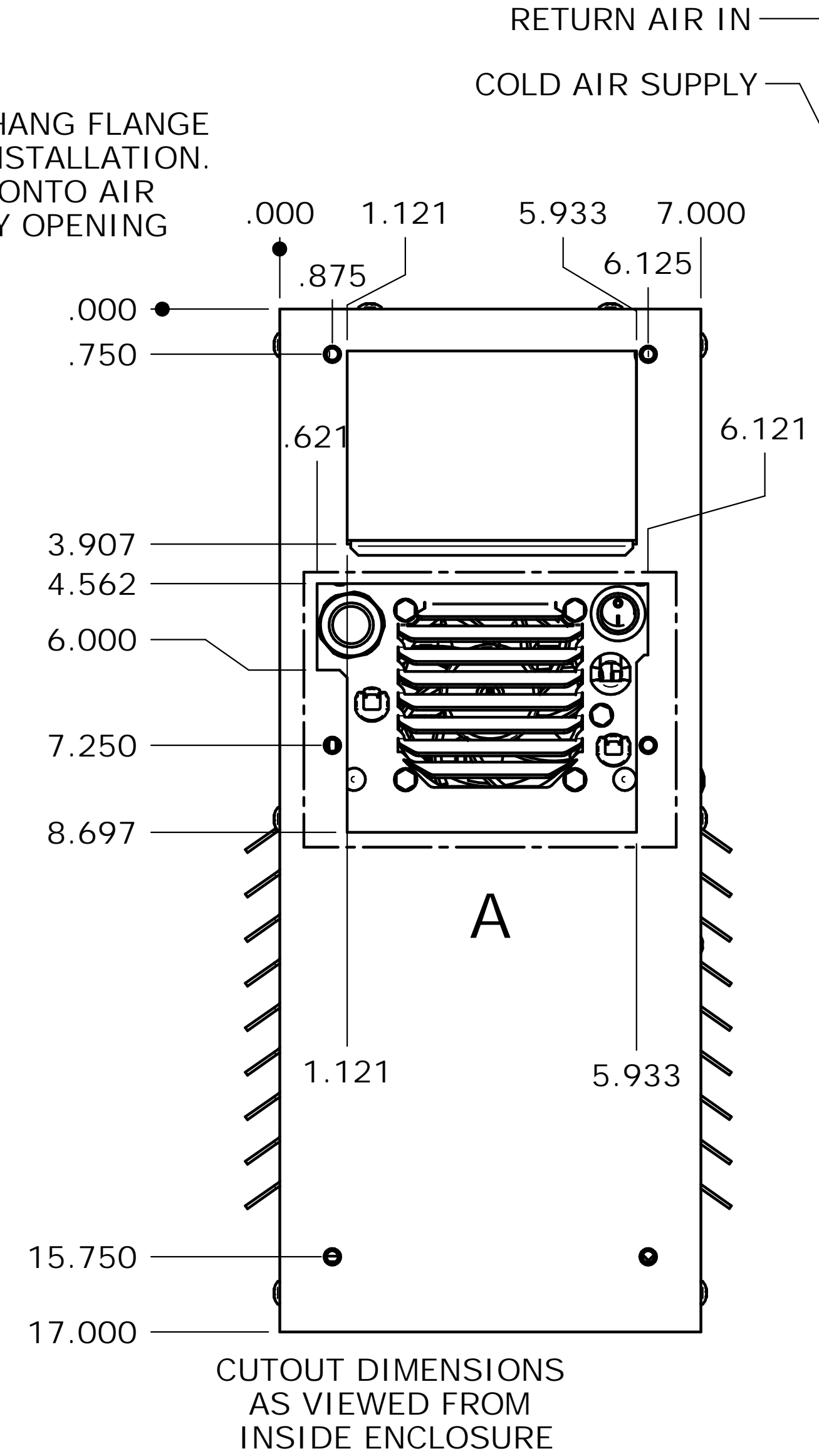
DETAIL A - CORDED MODEL  
(PRE 7/2014 CUTOUT SHOWN)



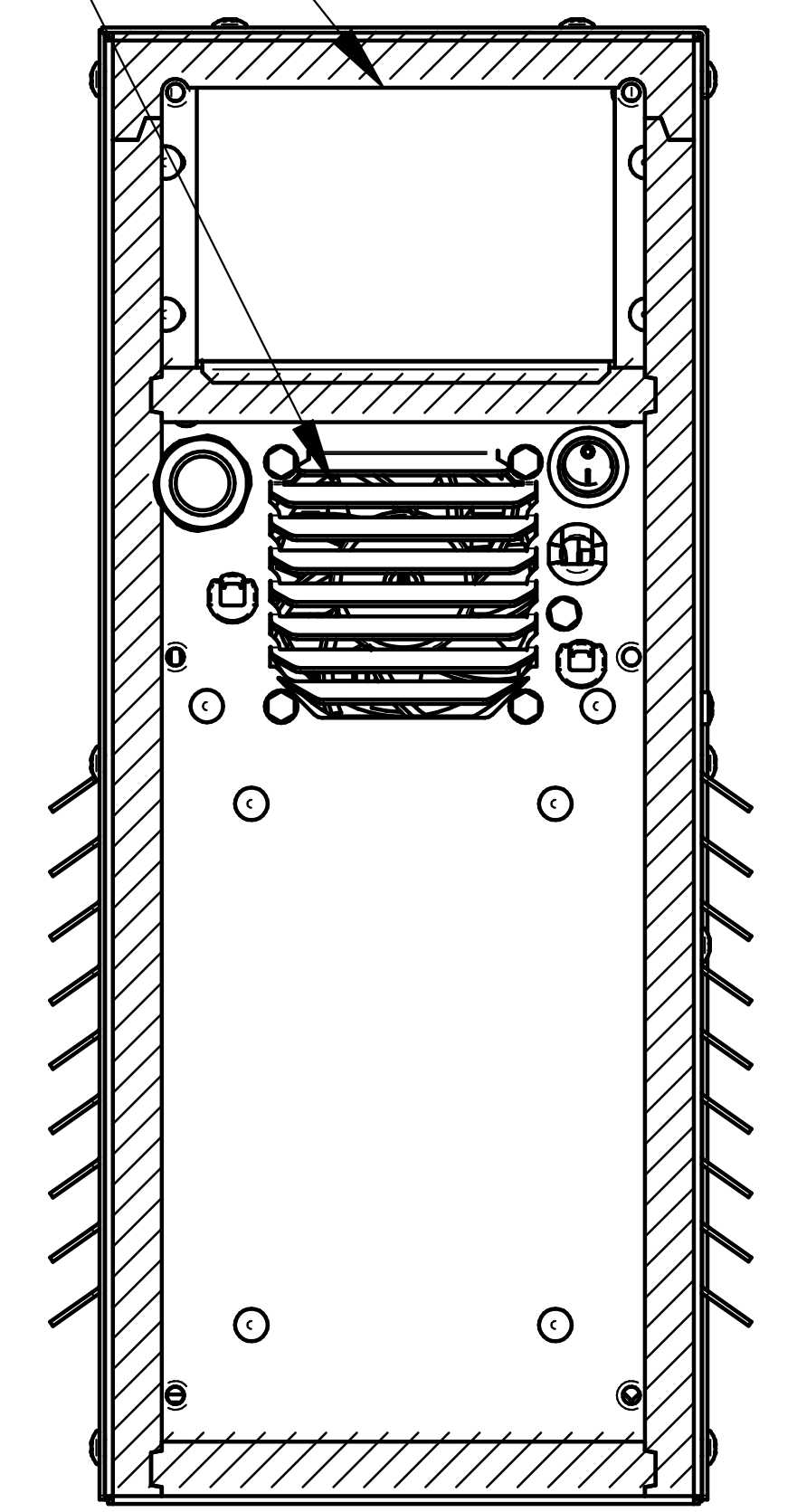
DIGITAL  
TEMPERATURE  
CONTROLLER



EASY HANG FLANGE  
FOR INSTALLATION.  
HOOK ONTO AIR  
SUPPLY OPENING



CUTOUT DIMENSIONS  
AS VIEWED FROM  
INSIDE ENCLOSURE



GASKET LOCATION