



**Thermal Edge Inc.™**  
**NE030D48**



**3,000 BTU/H 48 Volt DC Powered Air Conditioner**  
**Indoor/Outdoor, UL Types 12, 4 & 4X Available**

Engineered & manufactured to endure the most difficult of environments and applications. Thermal Edge air conditioners will exceed environmental requirements in applications like *Telecom Outside Plant, Off-Grid Solar, Wind & other Battery Powered Electrical Cabinets.*



**Digital Temperature Controller**

- Programmable set point and temperature controls
- Visible Error and/or alarm messaging
- System status indication & keypad lockout function

**Active Condensate Evaporation System**

- Constant elimination of condensate
- Increases unit efficiency by pre-cooling refrigerant

**Key Design Features**

- Sloped top to allow for water runoff
- Designed with rigid chassis and seam welded shroud
- Thoughtful interior design for easy maintenance
- Narrow body style fits on 12" enclosure

**Unit Efficiency**

- Temperature operated blower control saves energy
- Highly efficient rotary compressor
- Fully insulated & sealed cabinet
- Thermal Expansion Valve to maintain cooling capacity over a broad ambient temperature range

**Compressor Protection System**

- High & Low refrigerant cutouts with fault indication
- Compressor anti short cycle protection
- Thermal overload protector
- Compressor motor drive controller eliminates power inrush, saves energy and increases compressor life

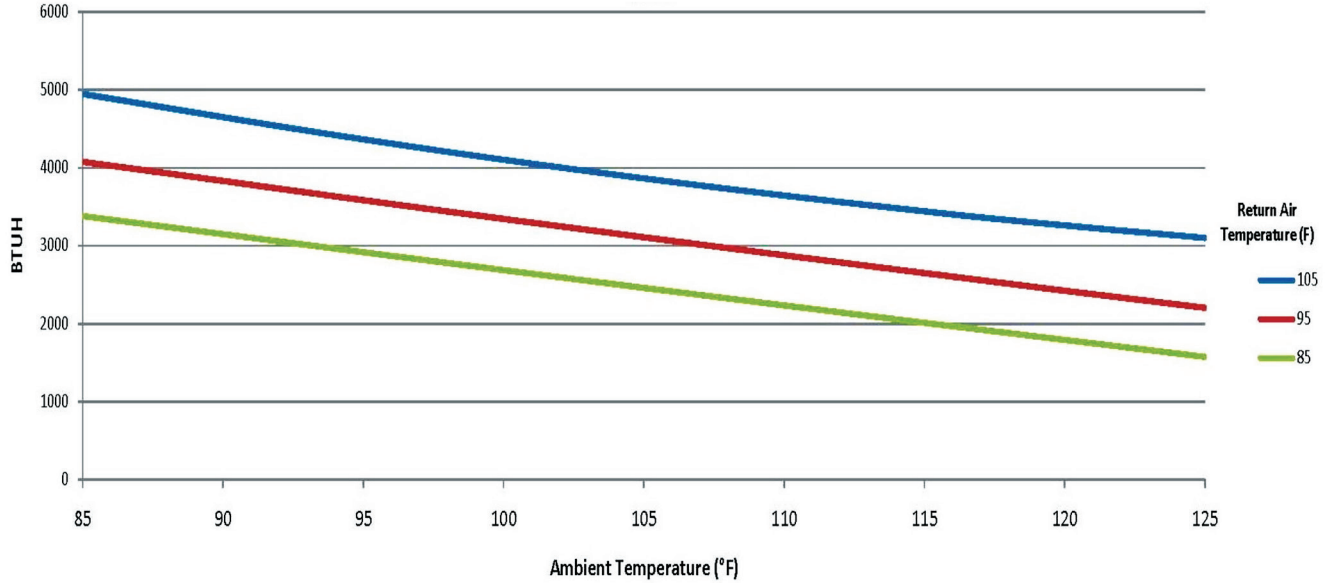
**Options:**

- Dry Contact Alarm Capabilities
- Remote Controller
- Open Door Kill Switch
- Corrosive Environment Packages
- Remote Monitoring Options
- Redundant Systems
- Tamper Resistant Filters

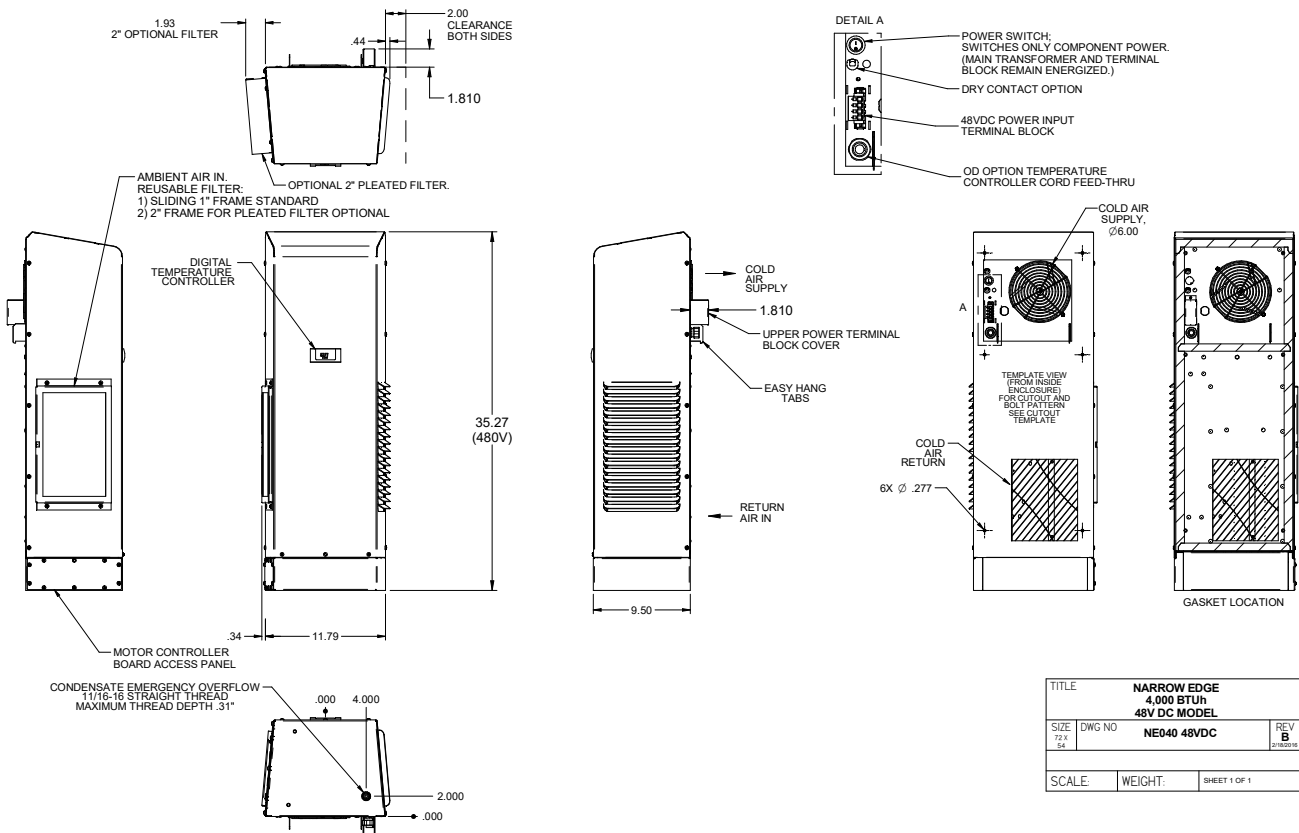


**NO WATER  
DRIPS FROM  
THERMAL EDGE  
ENCLOSURE AIR  
CONDITIONERS**

Model	UL Type	BTU/ Hour	Material	Voltage	Running Amps	Max. Amb. Temperature	H x W x D	Weight (lbs.) Unit/Ship
NE030D4812	12	3000	Powder coated steel	48 VDC	25.3	131°F	35.27" x 11.8" x 9.5"	103 / 120
NE030D4804	4	3000	Powder coated steel	48 VDC	25.3	131°F	35.27" x 11.8" x 9.5"	103 / 120
NE030D484X	4X	3000	Stainless steel	48 VDC	25.3	131°F	35.27" x 11.8" x 9.5"	103 / 120
NE030D484XL6	4X	3000	Mill finish aluminum	48 VDC	25.3	131°F	35.27" x 11.8" x 9.5"	85 / 102



Testing done under controlled conditions. Actual performance may vary



P:\Data\Edge\Sub\Edge Model\Templates and Drawings - DWG\DWG MASTERS - not published\Conditioner Drawings - Terminal Block Only\Thermal Edge\ne\_040\_48VDC\_jiang.dwg

ATTENTION: If ordering a replacement for a Thermal Edge air conditioner, please include the part number and serial number of the unit being replaced in your order. This will assure that we ship a replacement that is compatible with the cutout dimensions and power connection features of the older model.



All information subject to change without notice

**Get the Edge... Get Thermal Edge**  
 Temperature Control Solutions for Electrical Enclosures

(972) 580-0200 • www.thermal-edge.com • thermalinfo@thermal-edge.com

