



Thermal Edge Inc.™
NE020D48



2,000 BTU/H 48 Volt DC Powered Air Conditioner
Indoor/Outdoor, UL Types 12, 4 & 4X Available

Engineered & manufactured to endure the most difficult of environments and applications. Thermal Edge air conditioners will exceed environmental requirements in applications like *Telecom Outside Plant, Off-Grid Solar, Wind & other Battery Powered Electrical Cabinets.*



Digital Temperature Controller

- Programmable set point and temperature controls
- Visible Error and/or alarm messaging
- System status indication & keypad lockout function

Active Condensate Evaporation System

- Constant elimination of condensate
- Increases unit efficiency by pre-cooling refrigerant

Key Design Features

- Sloped top to allow for water runoff
- Designed with rigid chassis and seam welded shroud
- Thoughtful interior design for easy maintenance
- Narrow body style fits on 12" enclosure

Unit Efficiency

- Temperature operated blower control saves energy
- Highly efficient rotary compressor
- Fully insulated & sealed cabinet
- Thermal Expansion Valve to maintain cooling capacity over a broad ambient temperature range

Compressor Protection System

- High & Low refrigerant cutouts with fault indication
- Compressor anti short cycle protection
- Thermal overload protector
- Compressor motor drive controller eliminates power inrush, saves energy and increases compressor life

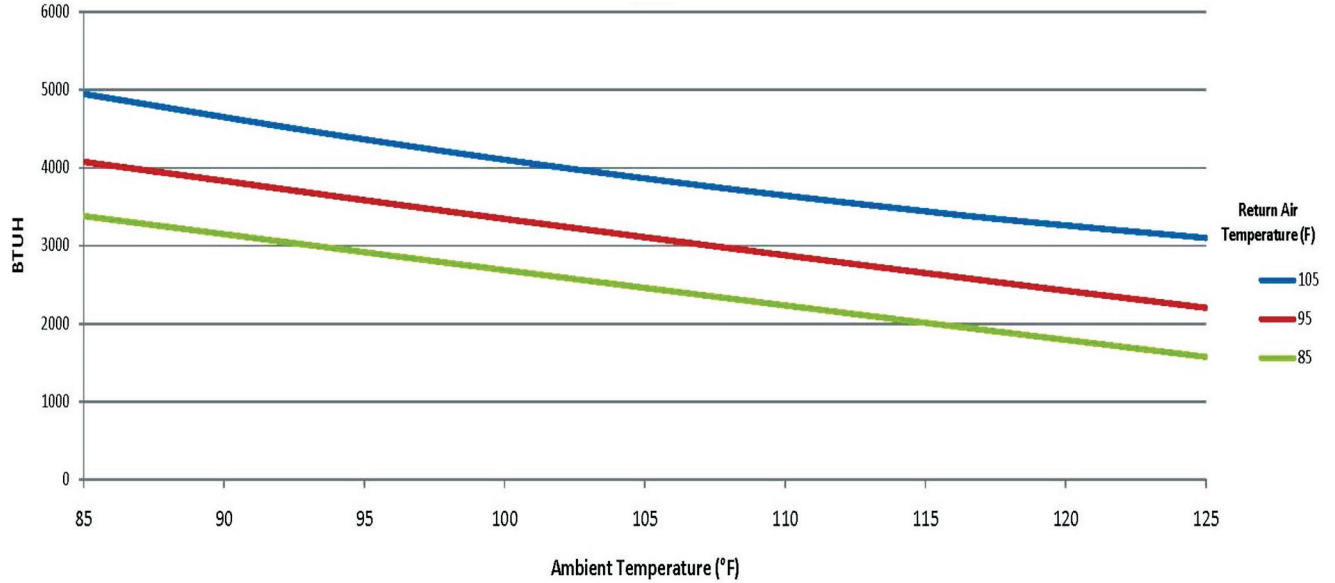
Options:

- Dry Contact Alarm Capabilities
- Remote Controller
- Open Door Kill Switch
- Corrosive Environment Packages
- Remote Monitoring Options
- Redundant Systems
- Tamper Resistant Filters

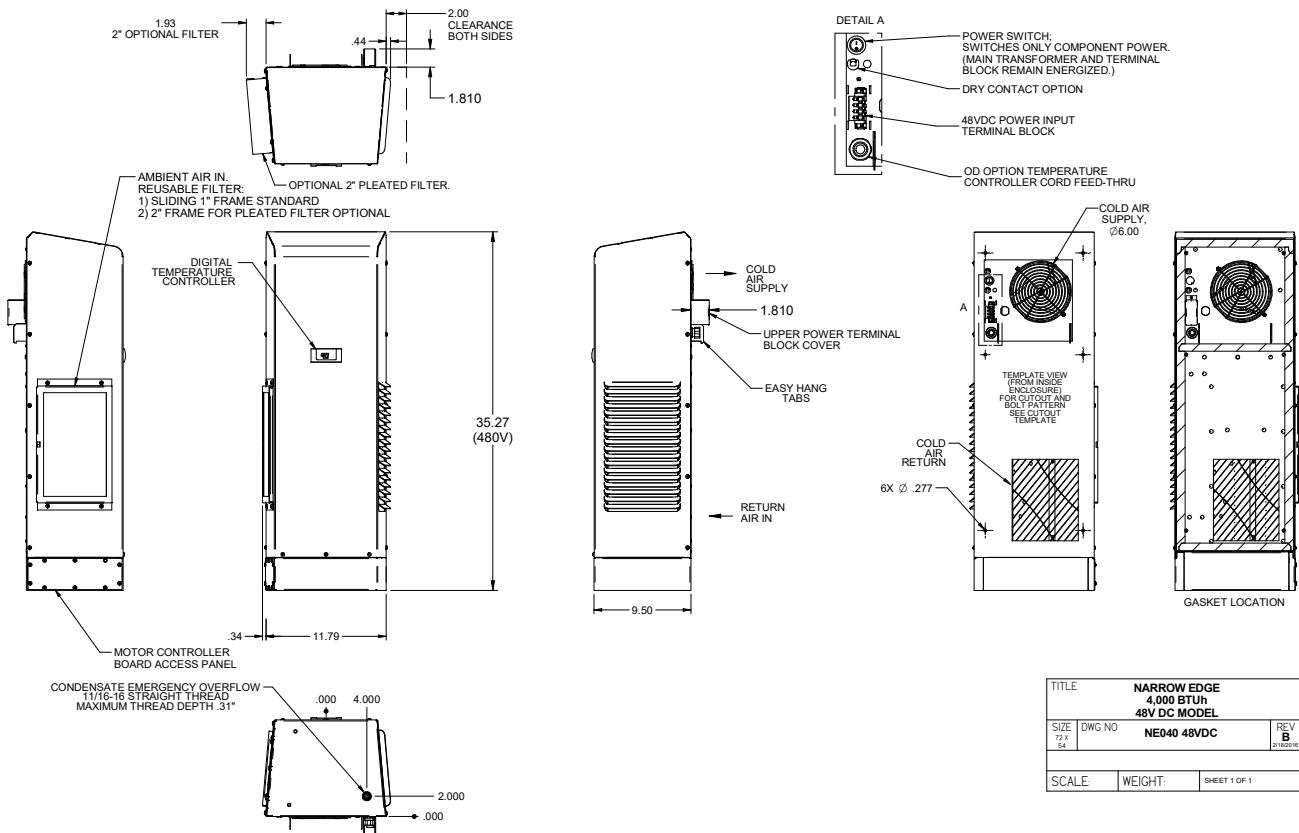


**NO WATER
DRIPS FROM
THERMAL EDGE
ENCLOSURE AIR
CONDITIONERS**

Model	UL Type	BTU/ Hour	Material	Voltage	Running Amps	Max. Amb. Temperature	H x W x D	Weight (lbs.) Unit/Ship
NE020D4812	12	2000	Powder coated steel	48 VDC	25.3	131°F	35.27" x 11.8" x 9.5"	103 / 120
NE020D4804	4	2000	Powder coated steel	48 VDC	25.3	131°F	35.27" x 11.8" x 9.5"	103 / 120
NE020D484X	4X	2000	Stainless steel	48 VDC	25.3	131°F	35.27" x 11.8" x 9.5"	103 / 120
NE020D484XL6	4X	2000	Mill finish aluminum	48 VDC	25.3	131°F	35.27" x 11.8" x 9.5"	85 / 102



Testing done under controlled conditions. Actual performance may vary



TITLE				NARROW EDGE 4,000 BTUh 48V DC MODEL	
SIZE	DWG NO	REV		REV	
7.5 X 5.4	NE040 48VDC	B		2/18/2016	
SCALE:	WEIGHT:	SHEET 1 OF 1			

©2016 Thermal Edge Model/Template and Drawings - ENVD MATTERS, Inc published Condition Drawings - Terminal Block Only/Thermal Edge, Inc_040_48VDC_020D48

ATTENTION: If ordering a replacement for a Thermal Edge air conditioner, please include the part number and serial number of the unit being replaced in your order. This will assure that we ship a replacement that is compatible with the cutout dimensions and power connection features of the older model.



All information subject to change without notice

Get the Edge... Get Thermal Edge
 Temperature Control Solutions for Electrical Enclosures

(972) 580-0200 • www.thermal-edge.com • thermalinfo@thermal-edge.com

