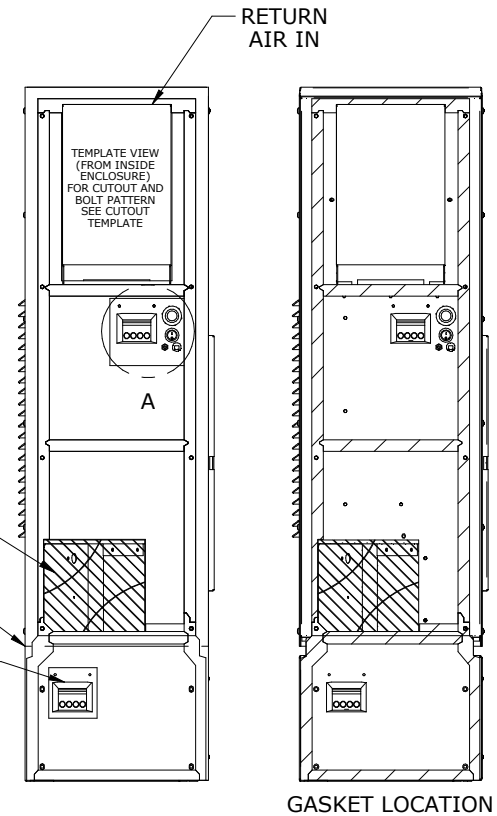
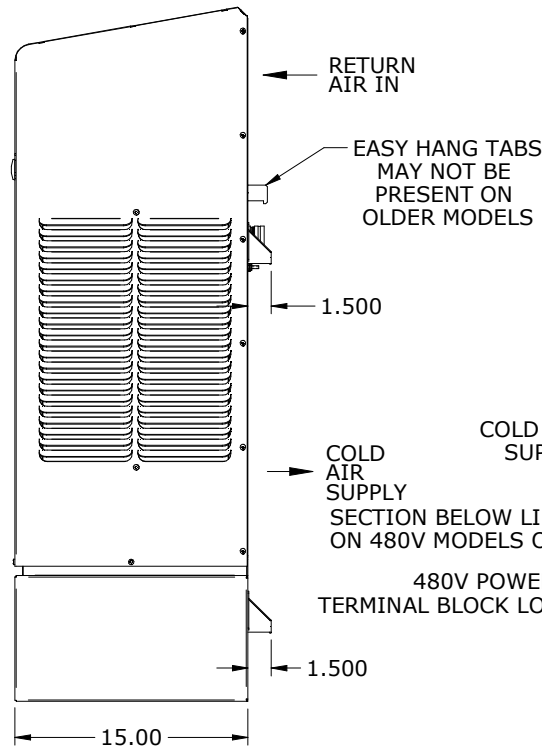
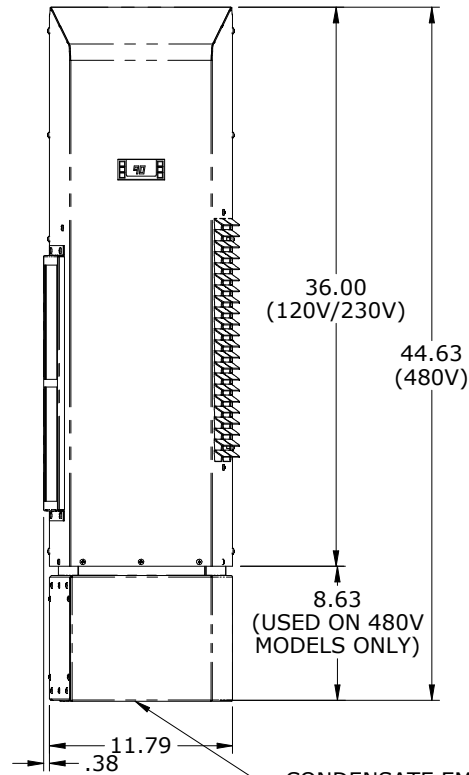
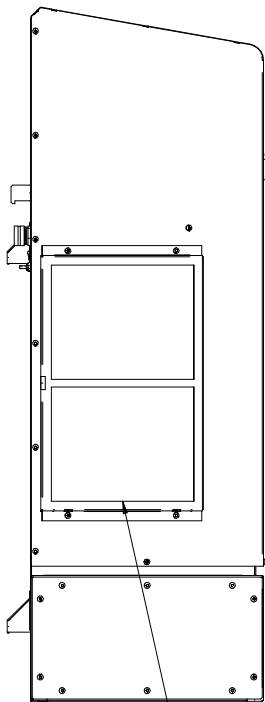
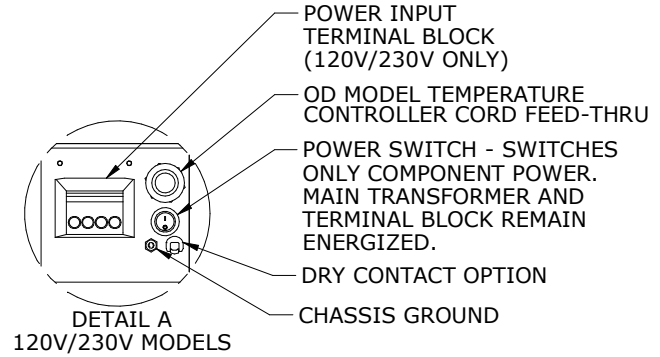
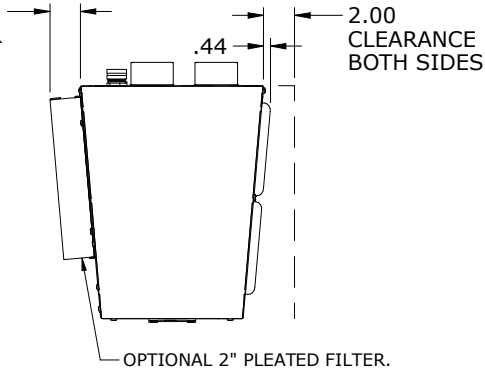


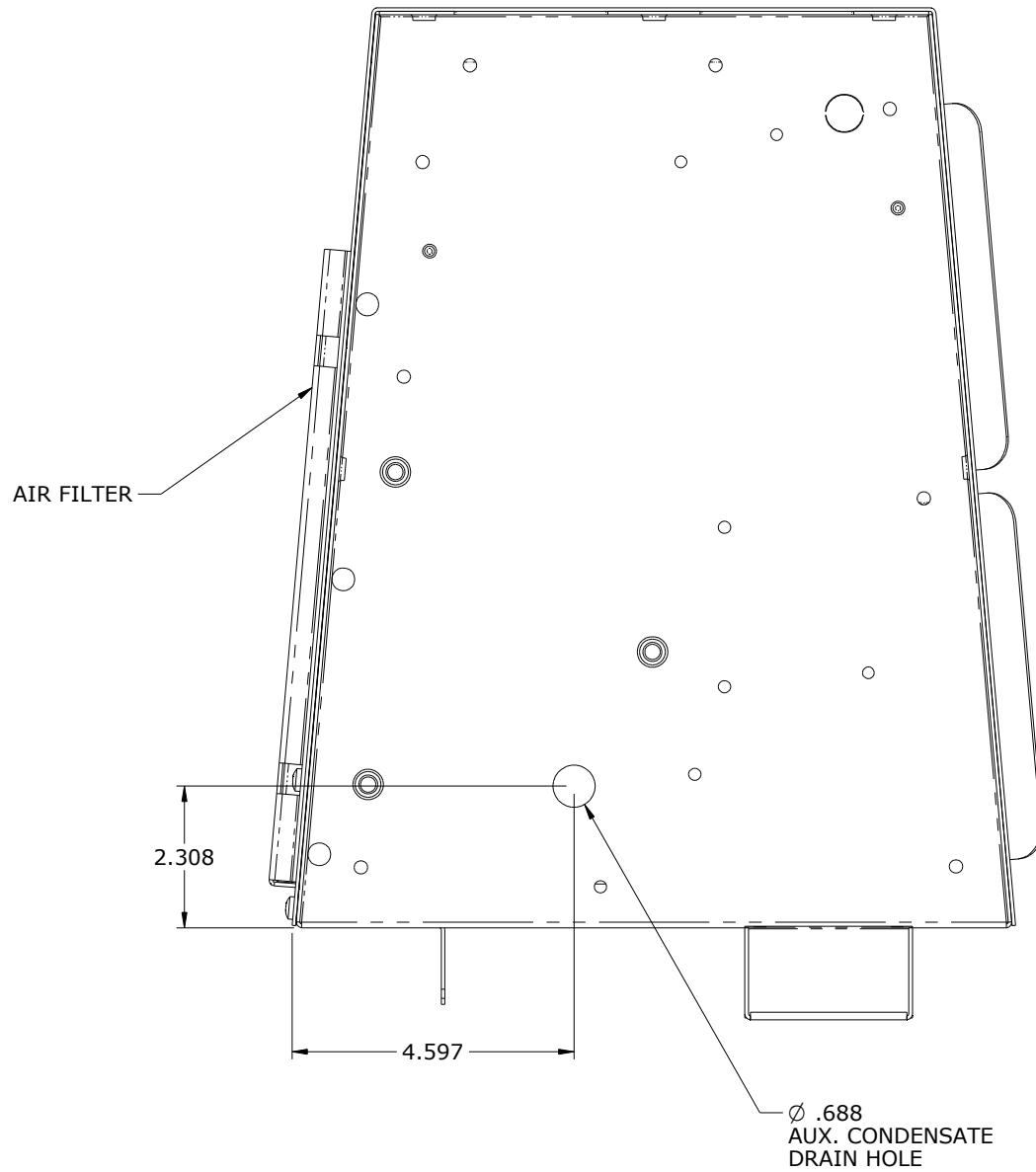
1.96
2" OPTIONAL FILTER



AMBIENT AIR IN.
REUSABLE FILTER:
1) SLIDING 1" FRAME STANDARD
2) 2" FRAME FOR PLEATED FILTER OPTIONAL

CONDENSATE EMERGENCY OVERFLOW
11/16-16 STRAIGHT THREAD
MAXIMUM THREAD DEPTH .31"

TITLE		NARROW EDGE	
SIZE		6,000/8,000 BTUH BTU'S	
DWG NO		115V, 230V, AND 480V MODELS	
REV		NE060/NE080	
SCALE		WEIGHT	
		SHEET 1 OF 2	



**NARROW EDGE NE060/080 AND NE060
120V AND 230V MODELS:
BOTTOM VIEW OF CHASSIS**