



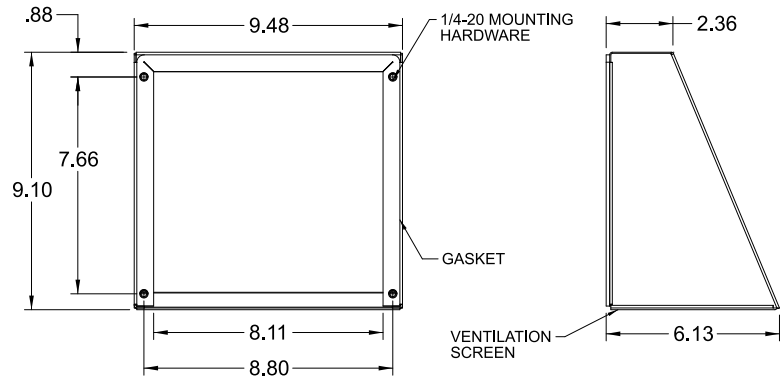
Thermal Edge Inc.™

Filtered Fan Accessories

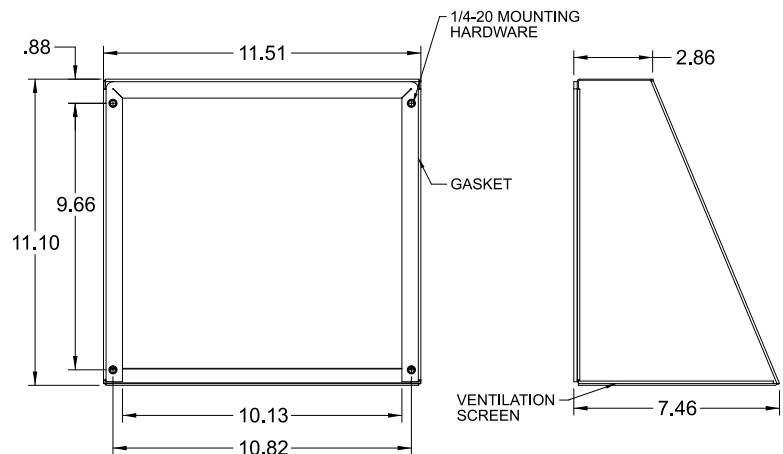
3R RAIN SHROUDS



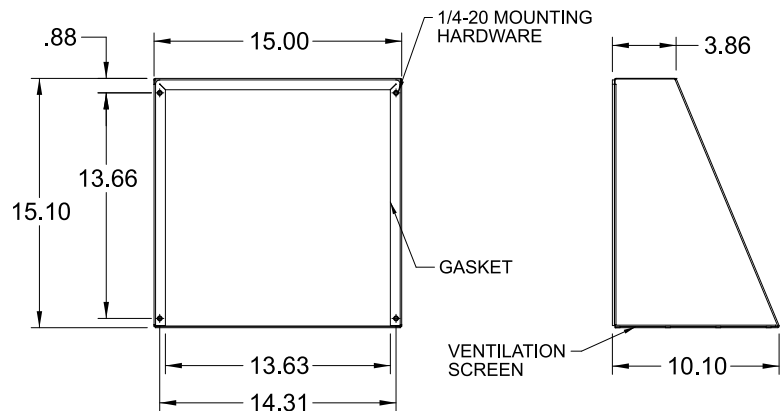
P/N 100-FFP-3R



P/N 200-FFP-3R



P/N 500-FFP-3R



Application

Our Fan Shroud Kits are designed to keep the elements out of your enclosure while allowing the free air movement from your filtered fan packages.

Installation

Shrouds come 2 to a kit and are sized to fit neatly over your openings and fans.

Specifics

- 16 Gauge Powder Coated Mild Steel
- Maintains UL Type 3R
- Includes Gaskets On All Three Edges
- Kits Include All Mounting Hardware & Template

3R Rain Shroud is fit over filter fan assembly and fastened from inside.

All information subject to change without notice

Get the Edge... Get Thermal Edge

Temperature Control Solutions for Electrical Enclosures

(972) 580-0200 • www.thermal-edge.com • thermalinfo@thermal-edge.com

