

PTC HEATERS

HG 140 15 - 50 W

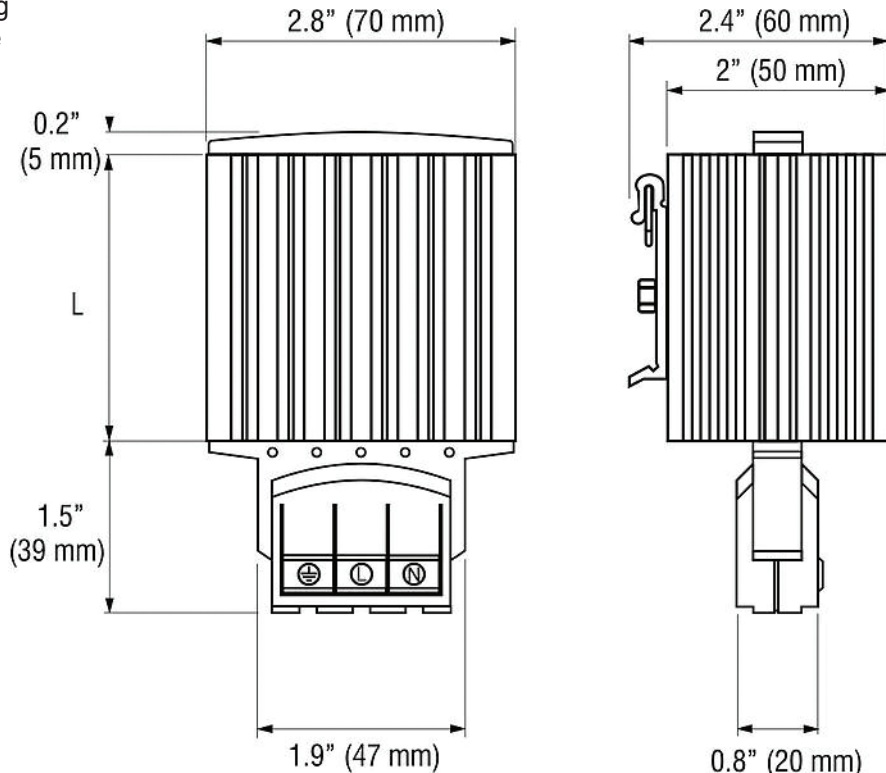


These heaters are used in enclosures where damage from condensation must be prevented, or where the temperature must be maintained above a minimum value. The aluminum profile heater body design has a chimney effect to distribute heat evenly. The cage clamp connectors save time and simplify installation.

Part No.	Heating capacity ¹	Operating voltage ²	Max. current (inrush)	Rec. pre-fuse T (time-delay)	Length (L)	Weight (approx.)
14000.0-00	15 W	AC/DC 120-240 V	1.5 A	2.0 A	2.56" (65 mm)	7.6 oz. (215 g)
14001.0-00	30 W	AC/DC 120-240 V	3.0 A	4.0 A	2.56" (65 mm)	7.6 oz. (215 g)
14003.0-00	45 W	AC/DC 120-240 V	3.5 A	4.0 A	2.56" (65 mm)	7.6 oz. (215 g)
14005.0-00	60 W	AC/DC 120-240 V	2.5 A	4.0 A	5.5" (140 mm)	14.1 oz. (400 g)
14006.0-00	75 W	AC/DC 120-240 V	4.0 A	6.3 A	5.5" (140 mm)	14.3 oz. (405 g)
14007.0-00	100 W	AC/DC 120-240 V	4.5 A	8.0 A	5.5" (140 mm)	14.3 oz. (405 g)
14008.0-00	150 W	AC/DC 120-240 V	9.0 A	10.0 A	8.66" (220 mm)	14.3 oz. (405 g)

- Compact size
- Wide voltage range
- Heating power adjusts to ambient temperature
- Cage clamp connectors for quick & easy wiring
- DIN rail mountable

¹ at 68°F (20°C) ambient temperature; ² operating high voltage heaters below AC/DC 140V reduces heating performance by approx. 10% (min. 110V, max 265V).



PTC Heater HG 140



All information subject to change without notice

Get the Edge... Get Thermal Edge
Temperature Control Solutions for Electrical Enclosures