

CS011-D48

1,000 BTU/H 48 Volt DC Powered Air Conditioner

Indoor/Outdoor, NEMA Types 12, 4 & 4X Available

Engineered & manufactured to endure the most difficult of environments and applications. Thermal Edge air conditioners will exceed environmental requirements in applications like *Telecom Outside Plant, Off-Grid Solar, Wind & other Battery Powered Electrical Cabinets.*



Digital Temperature Controller

- Programmable set point and temperature controls
- Visible Error and/or alarm messaging
- System status indication & keypad lockout function

Active Condensate Evaporation System

- Constant elimination of condensate
- Increases unit efficiency by pre-cooling refrigerant

Key Design Features

- Designed with rigid chassis and seam welded shroud
- Thoughtful interior design for easy maintenance
- Narrow body style fits on 7" enclosure
- Filter free design

Unit Efficiency

- Highly efficient rotary compressor
- Fully insulated & sealed cabinet
- Thermal Expansion Valve to maintain cooling capacity over a broad ambient temperature range

Compressor Protection System

- High & Low refrigerant cutouts with fault indication
- Compressor anti short cycle protection
- Compressor motor drive controller eliminates power inrush, saves energy and increases compressor life

Options:

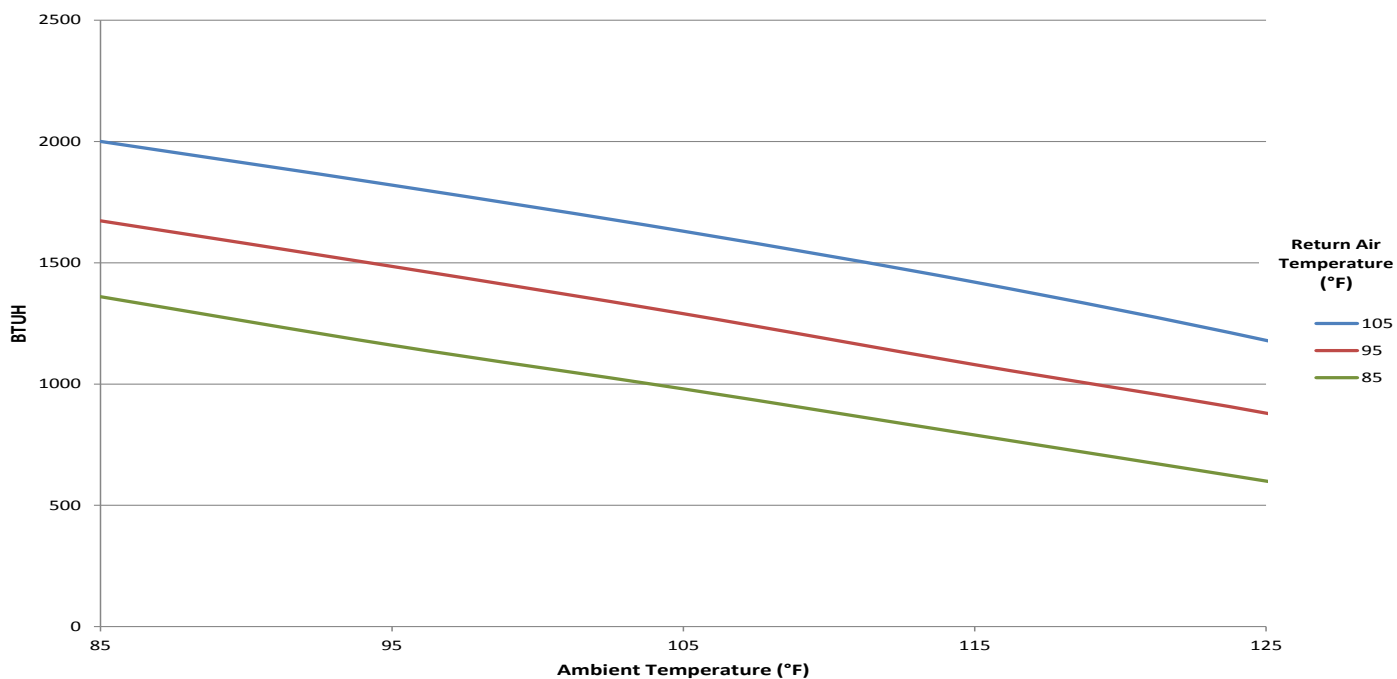
- Dry Contact Alarm
- Remote Controller
- Open Door Kill Switch
- Corrosive Environment Package
- Remote Monitoring Options

THE CS011 USES A UNIQUE 3 COIL DESIGN PROVIDING HIGH CAPACITY COOLING WHILE UTILIZING AIR INTAKE FROM EITHER SIDE. DUAL INTAKE ALLOWS FOR MOUNTING ON A WALL MOUNTED ENCLOSURE ON THE RIGHT OR LEFT SIDE OF YOUR ENCLOSURE.

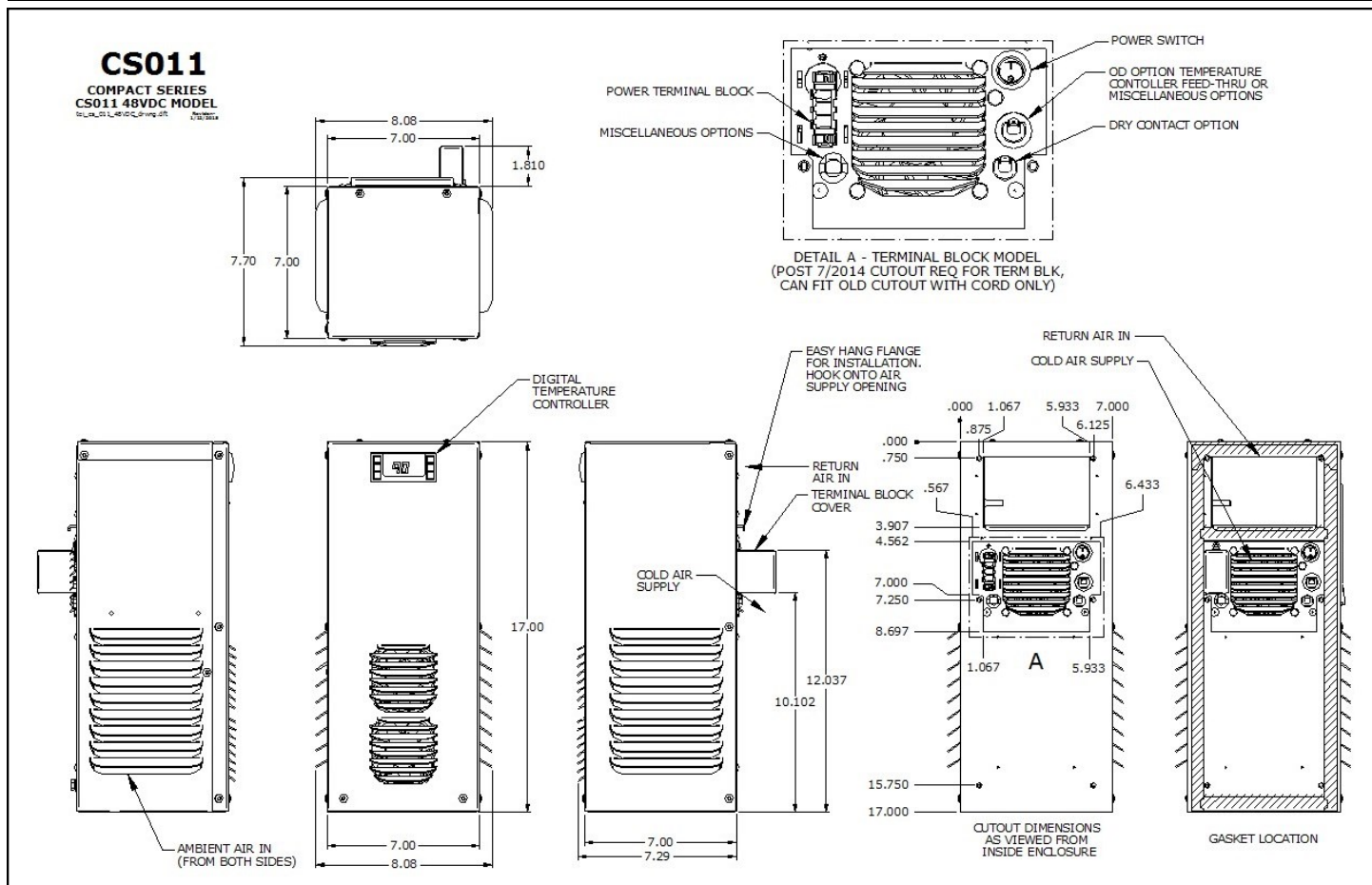
| Model | BTU/H | Material | Volts | Running Amps | Max. Ambient Temperature | H x W x D | Weight (lbs.) Unit / Ship |
|------------|-------|---------------------|--------|--------------|--------------------------|---------------|---------------------------|
| CS011D4812 | 1000 | Powder coated steel | 48 VDC | 3.7 | 125°F | 17" x 7" x 7" | 30 / 43 |
| CS011D4804 | 1000 | Powder coated steel | 48 VDC | 3.7 | 125°F | 17" x 7" x 7" | 30 / 43 |
| CS011D484X | 1000 | Stainless steel | 48 VDC | 3.7 | 125°F | 17" x 7" x 7" | 30 / 43 |



CS011D48



Testing done under controlled conditions. Actual performance may vary



UL File # SA32252

All information subject to change without notice

2017-05-22

