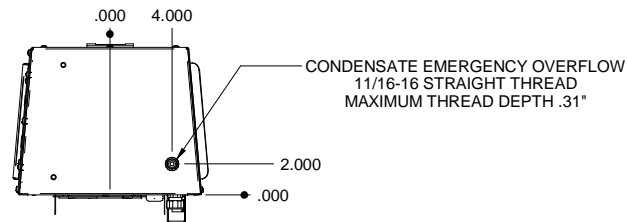
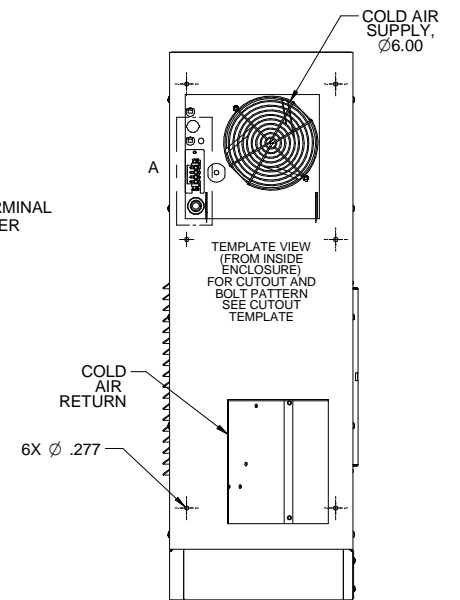
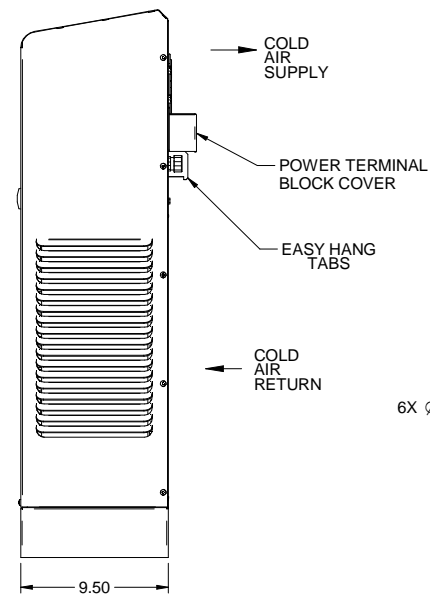
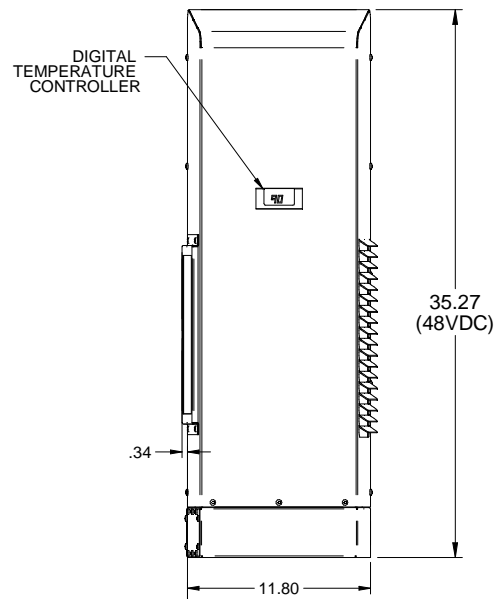
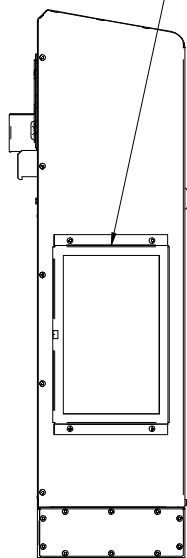


AMBIENT AIR IN.  
REUSABLE FILTER:  
1) SLIDING .340" FRAME STANDARD  
2) 2" FRAME FOR PLEATED FILTER OPTIONAL



**NARROW EDGE NE040 - 4,000 BTUH  
DC POWER MODELS ONLY**