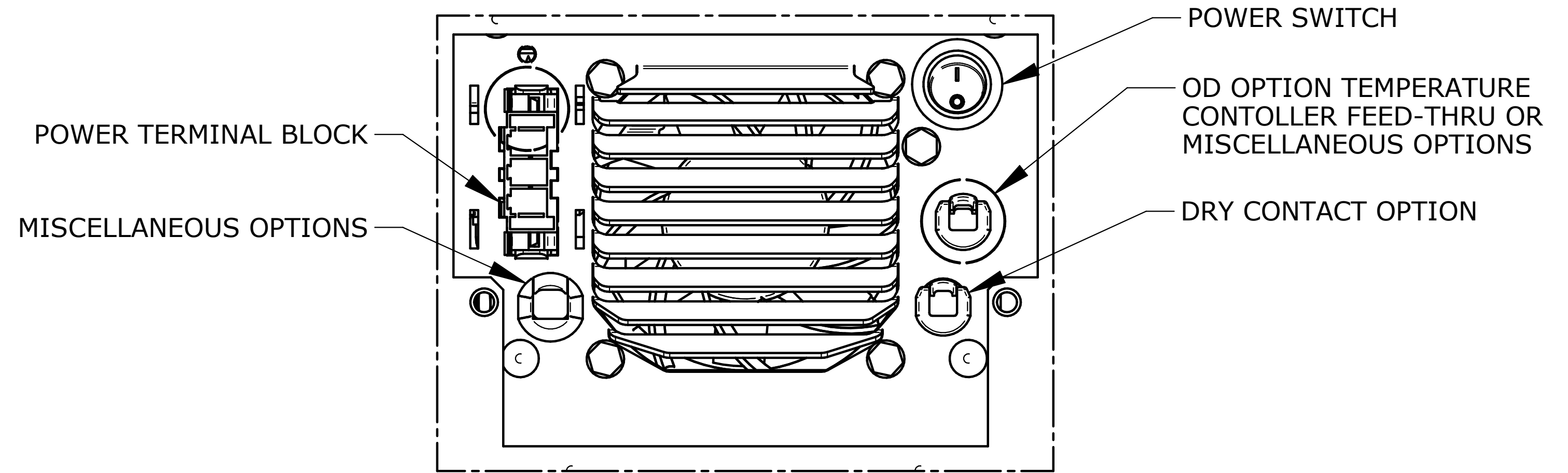
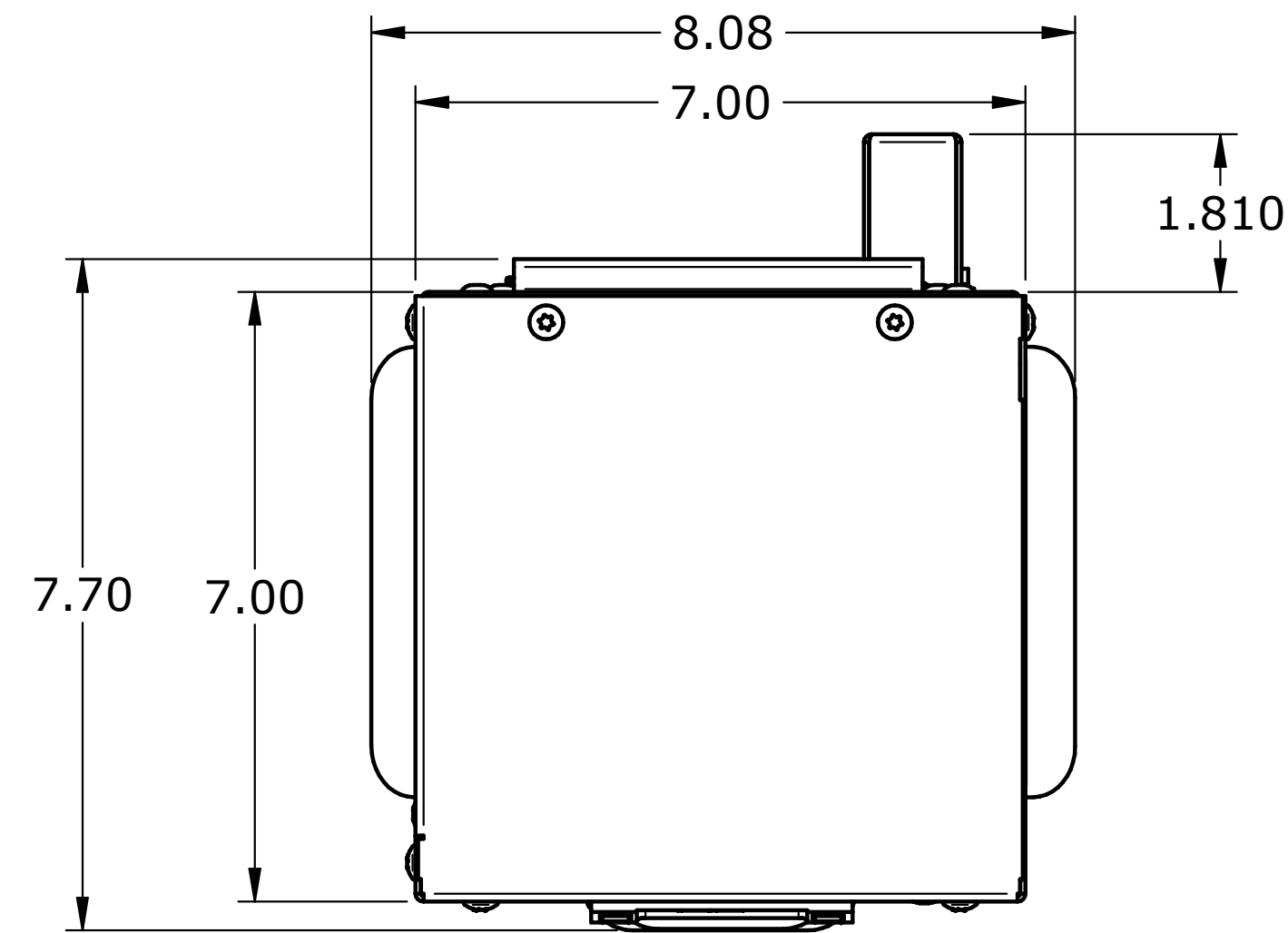
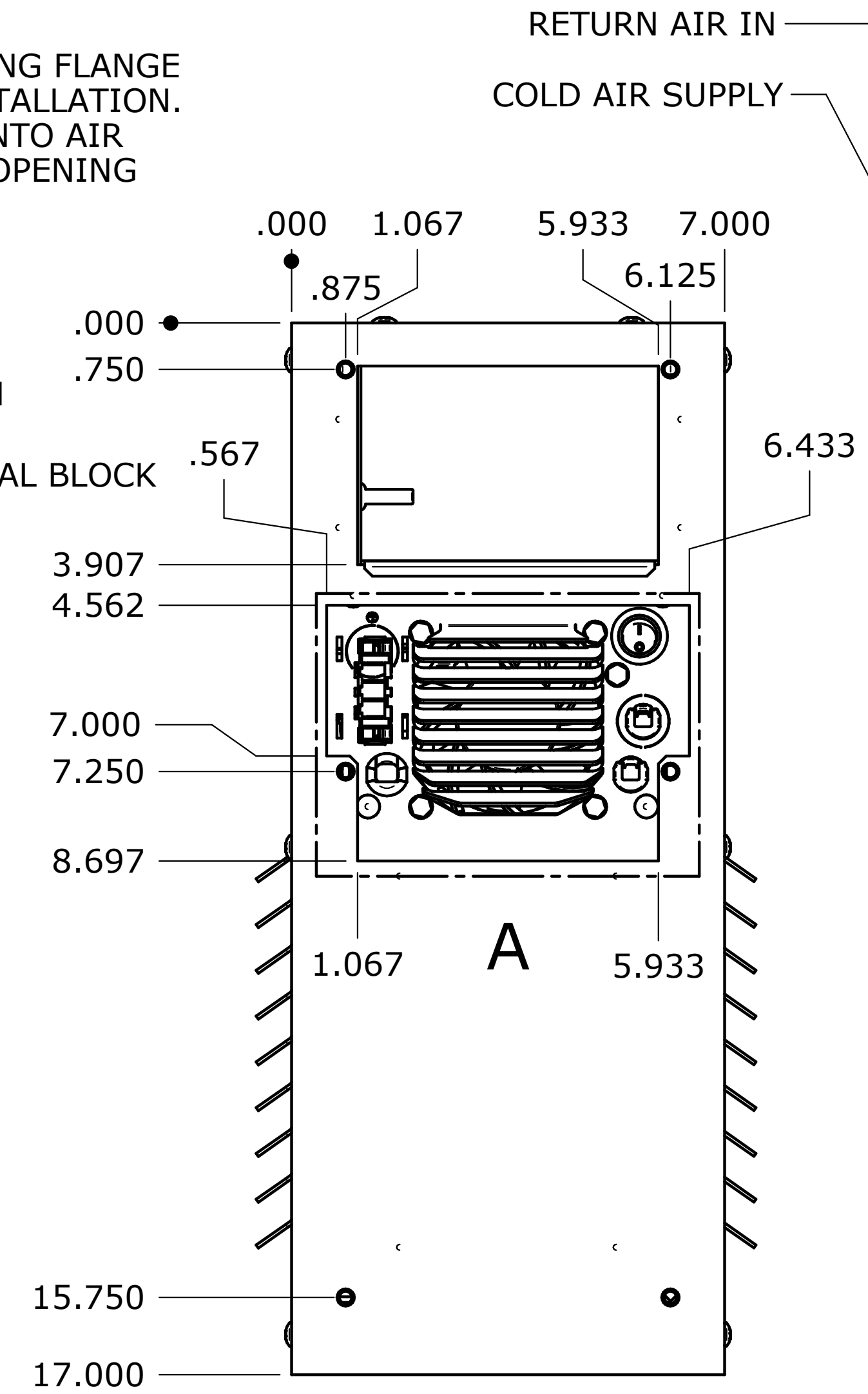
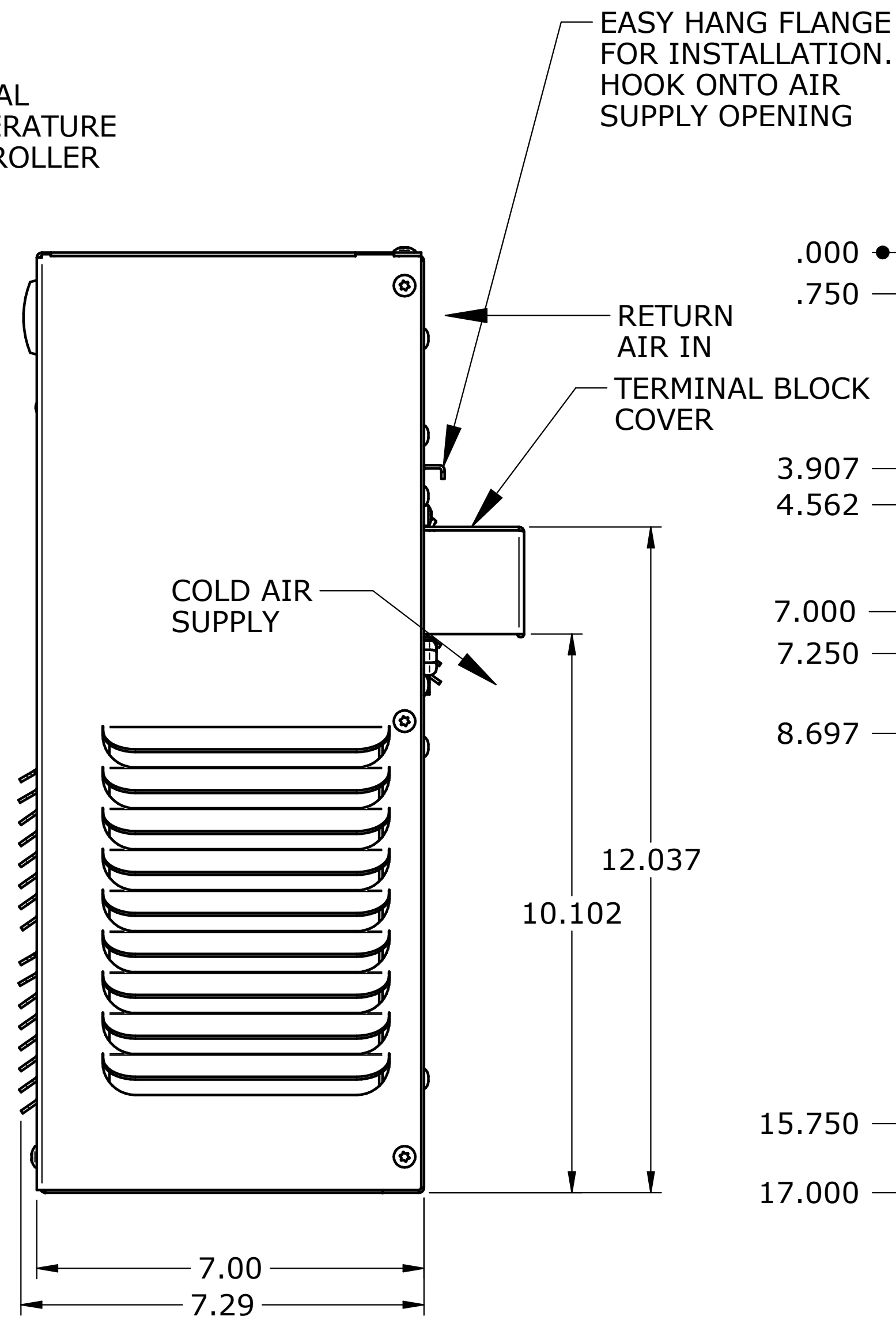
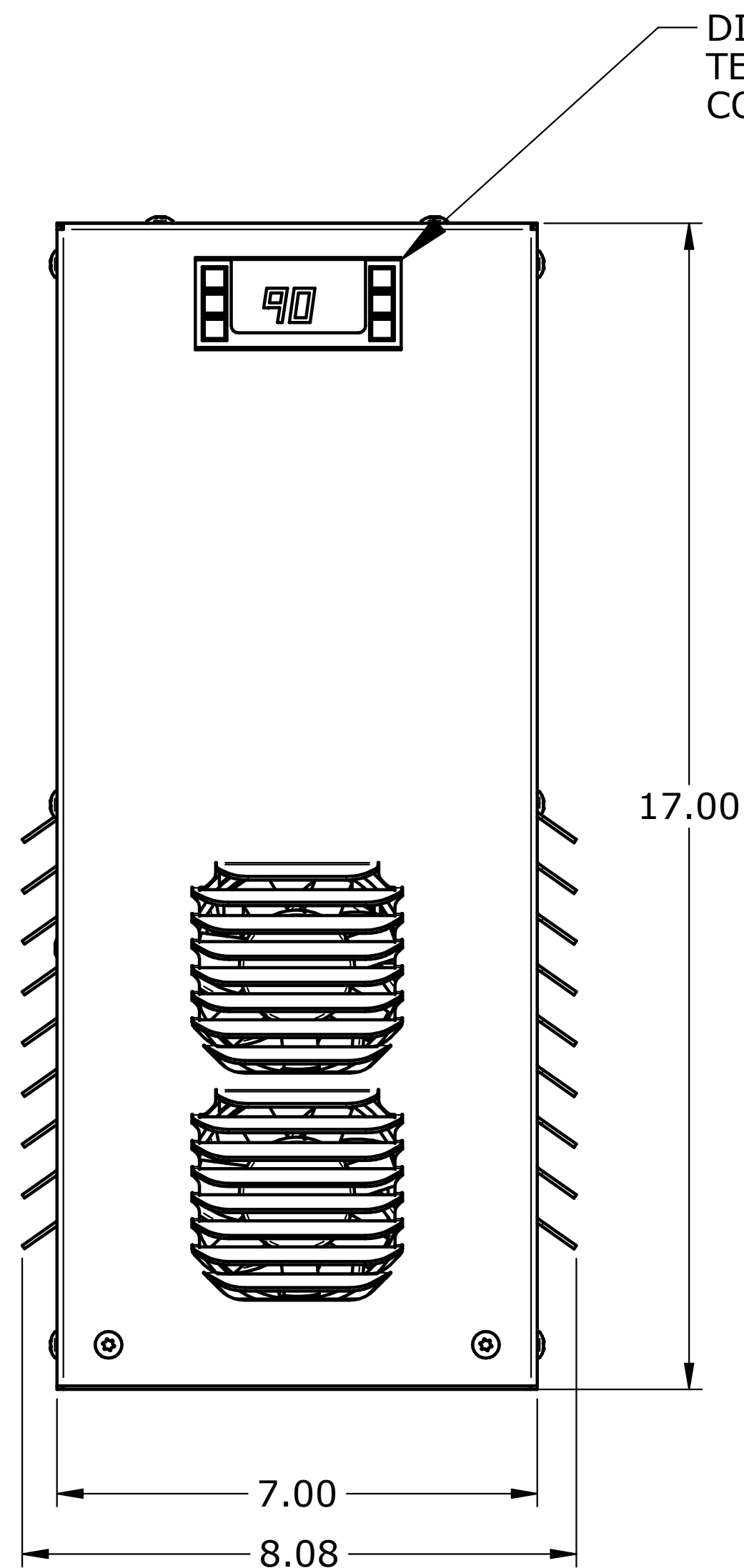
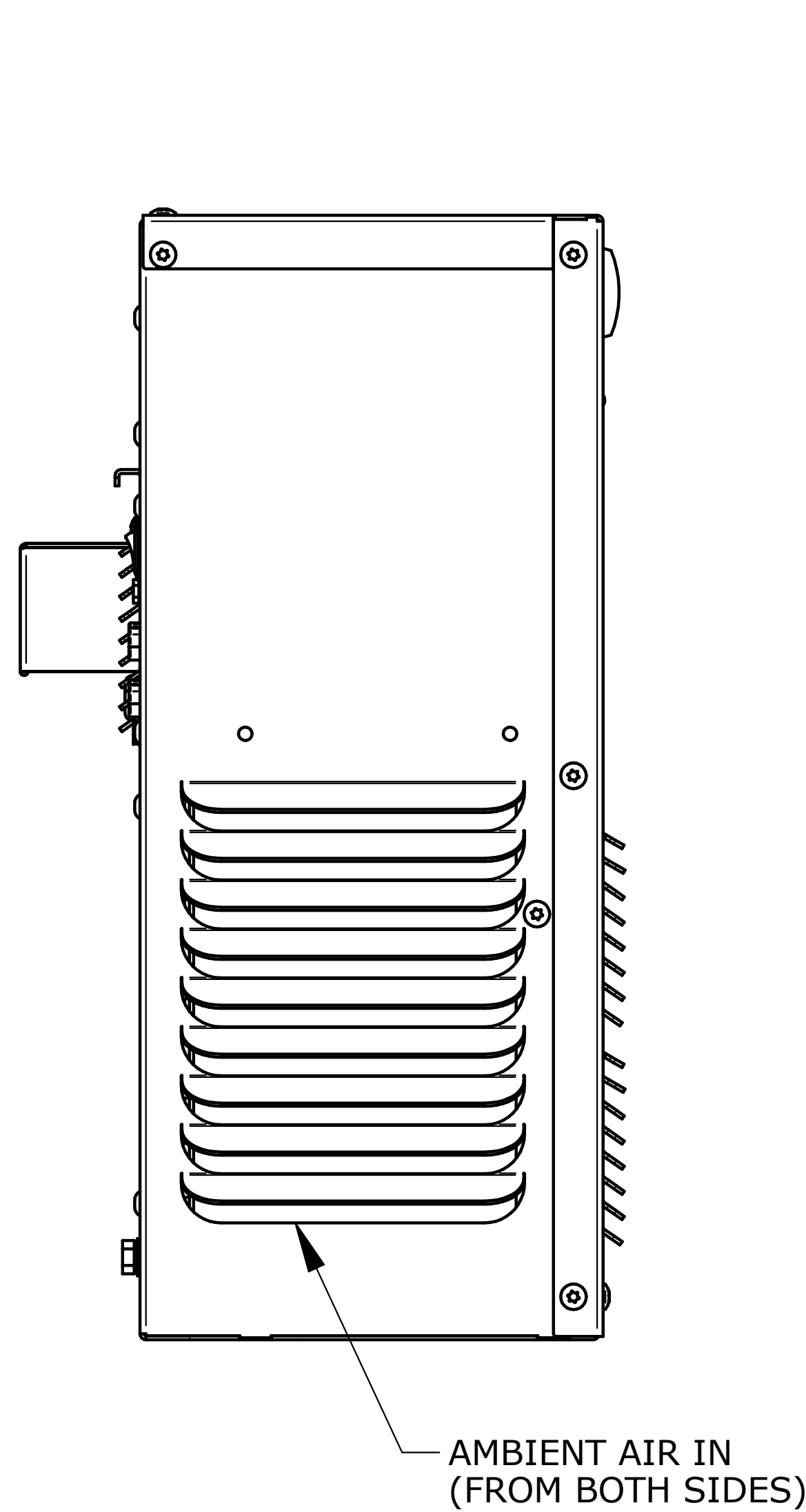


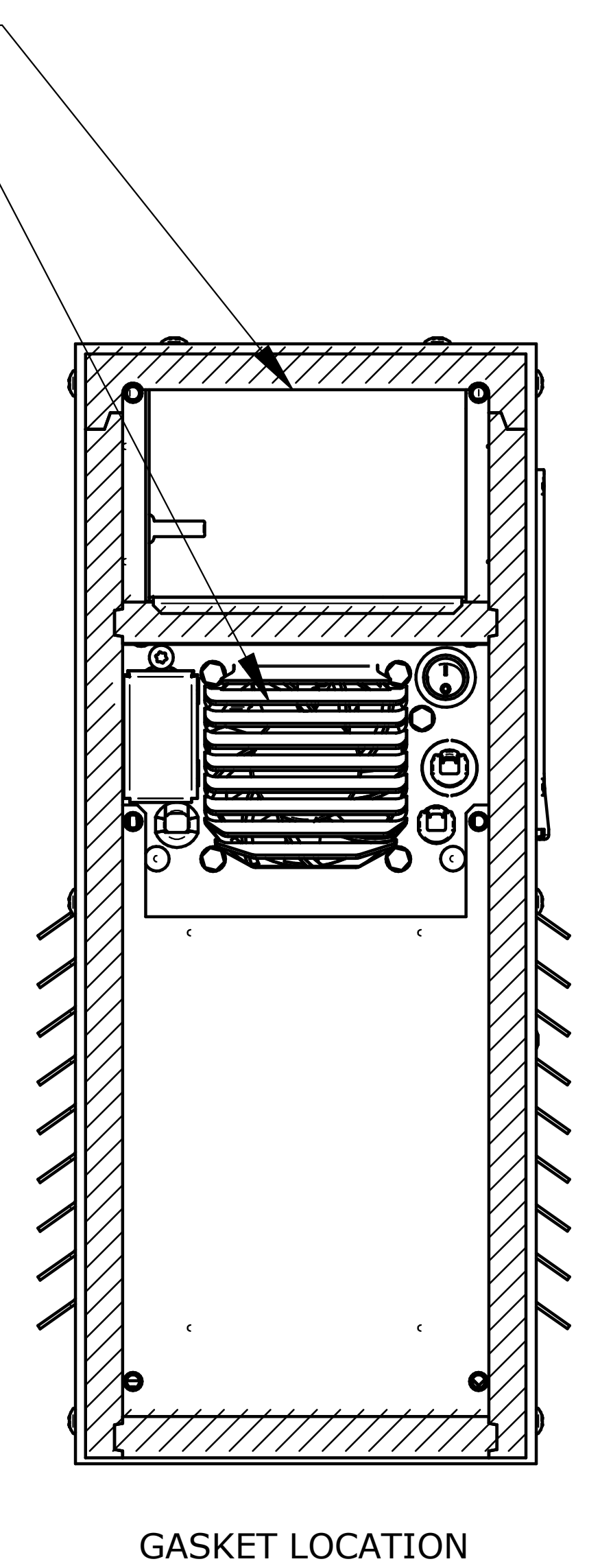
CS011
COMPACT SERIES
CS011 48VDC MODEL
tei_cs_011_48VDC_drwng.dft Revision 1/12/2015



DETAIL A - TERMINAL BLOCK MODEL
 (POST 7/2014 CUTOUT REQ FOR TERM BLK,
 CAN FIT OLD CUTOUT WITH CORD ONLY)



CUTOUT DIMENSIONS
 AS VIEWED FROM
 INSIDE ENCLOSURE



GASKET LOCATION