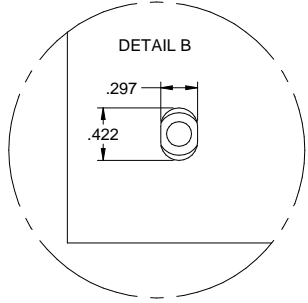
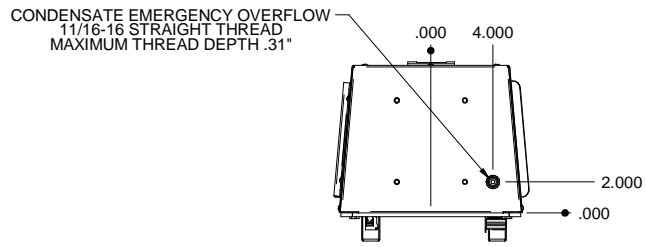
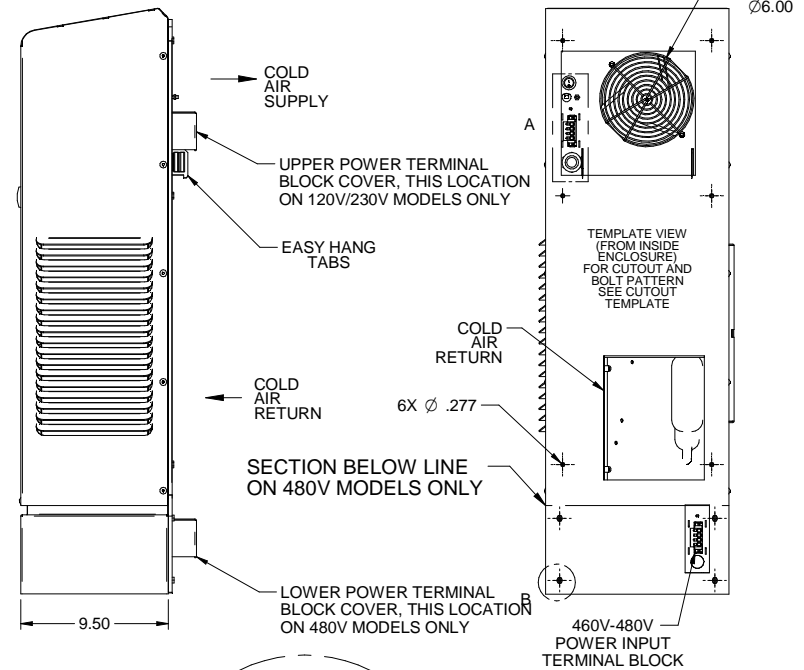
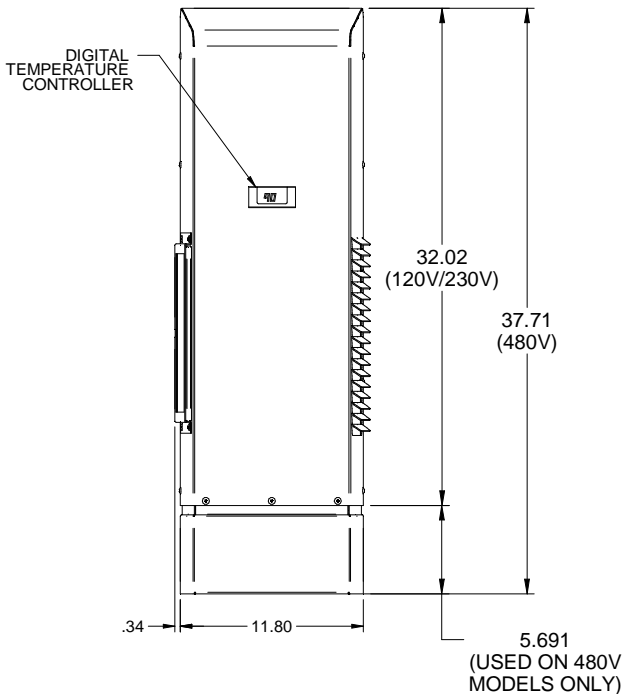
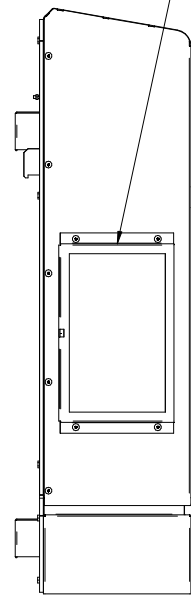


AMBIENT AIR IN. REUSABLE FILTER:  
 1) SLIDING 1" FRAME STANDARD  
 2) 2" FRAME FOR PLEATED FILTER OPTIONAL

OPTIONAL 2" PLEATED FILTER.



**NARROW EDGE NE020 - 2,000 BTUH  
 120V, 230V, AND 480V MODELS**

Revision B - 9/25/2013  
 P:\Solid Edge\Solid Edge Models\Templates and Drawings - ENG MASTERS, not public\Air Condition