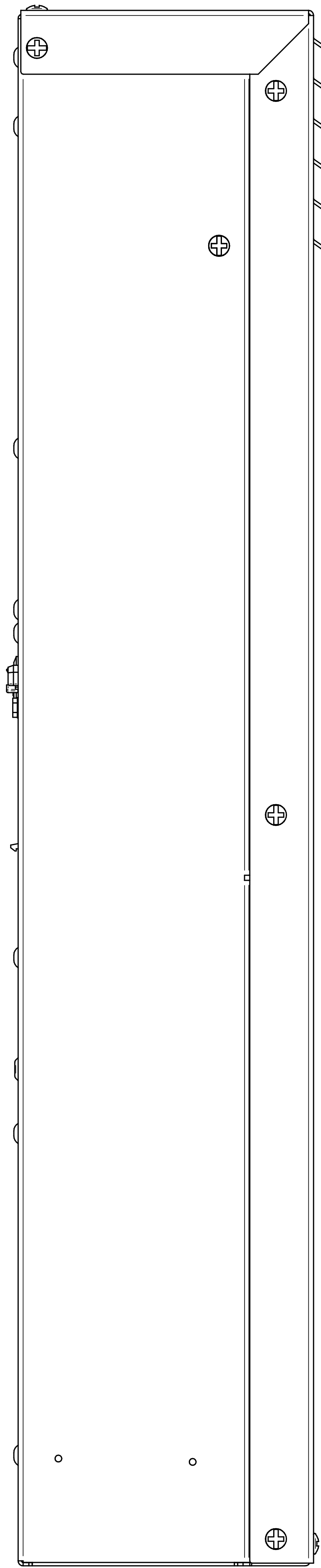
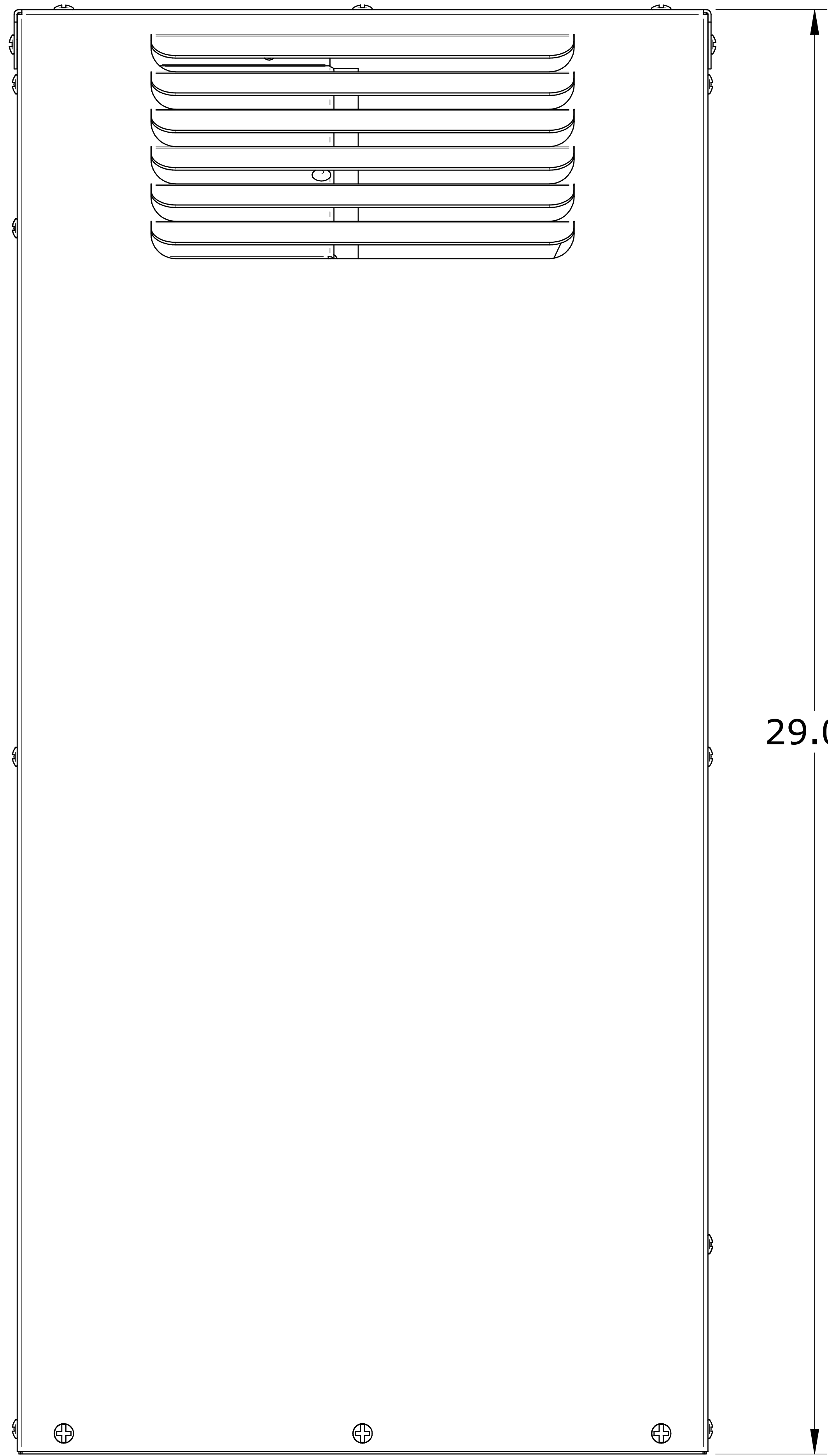


TOP VIEW



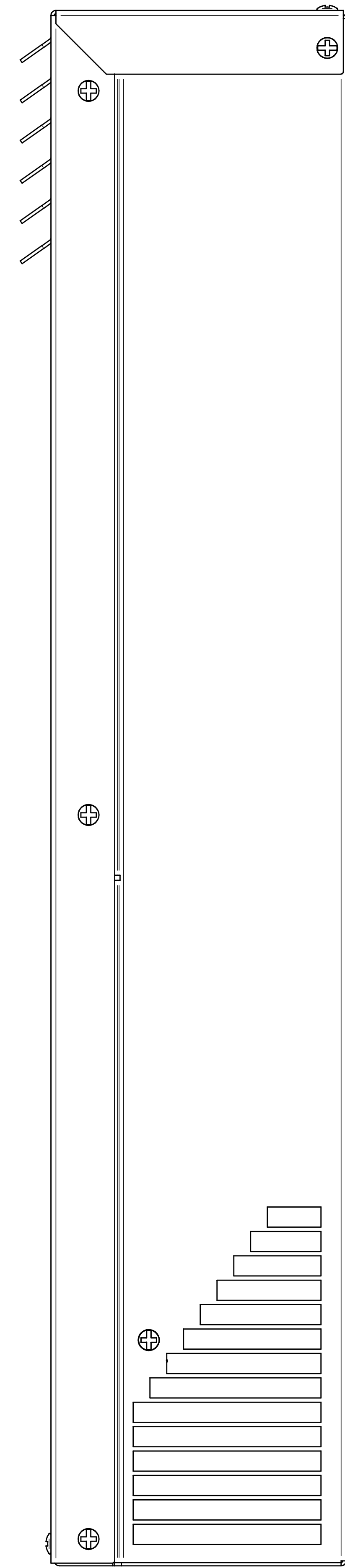
AMBIENT DISCHARGE



29.00

13.88

.250-20 BOLTS FASTENED FROM INSIDE ENCLOSURE



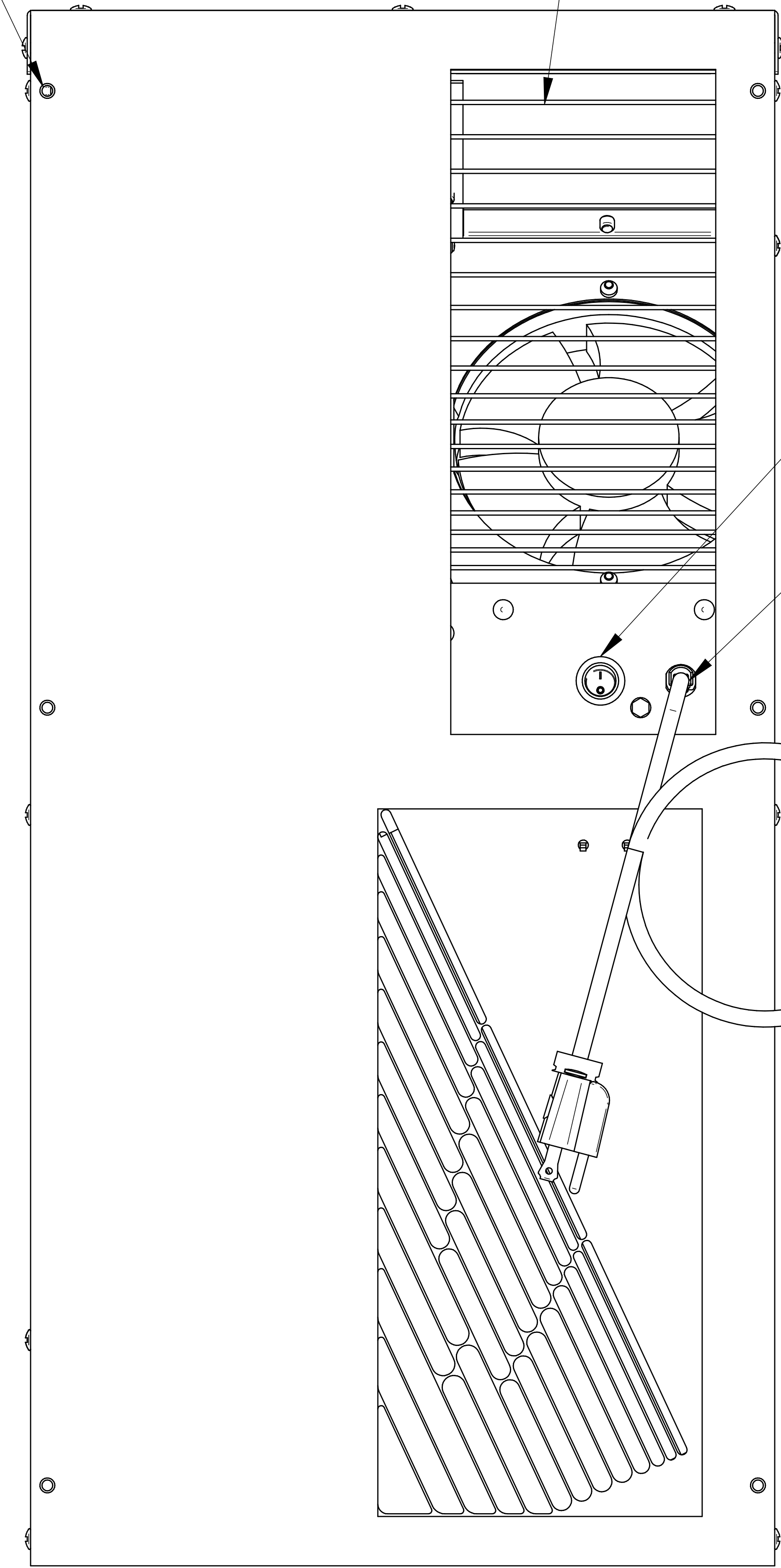
ENCLOSURE RETURN AIR

AIR SUPPLY TO ENCLOSURE

5.50 PLUS GASKET

AMBIENT AIR SUPPLY IS SUPPLIED FROM BOTH BELOW AND NEAR SIDE

RETURN AIR TO HEAT EXCHANGER



SWITCH

POWER CORD

CUTOUT TEMPLATE VIEWED FROM INSIDE ENCLOSURE. FLIP IF APPLIED TO OUTSIDE OF ENCLOSURE.

AIR TO AIR TALL SERIES HEAT EXCHANGER