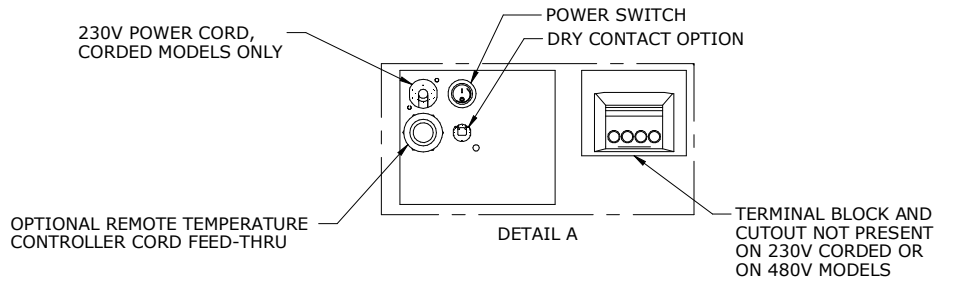
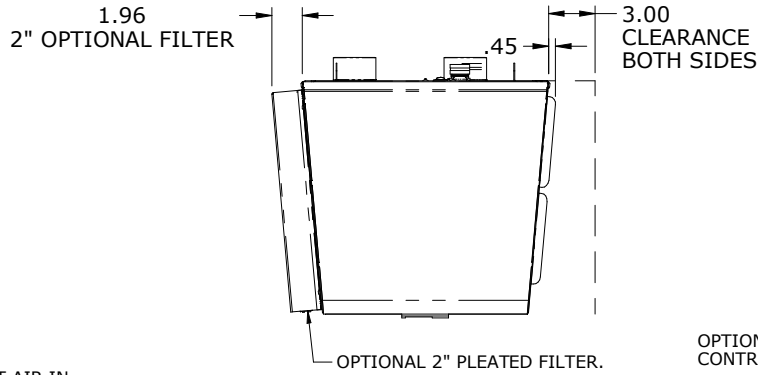
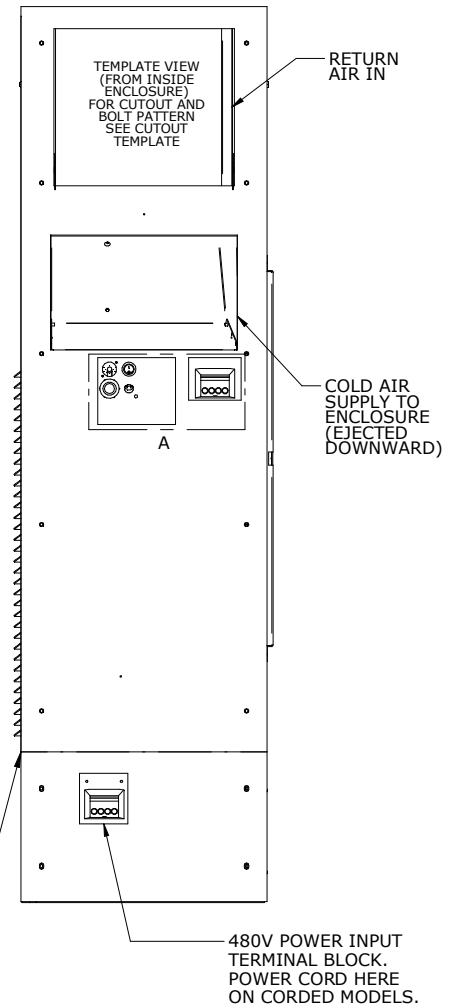
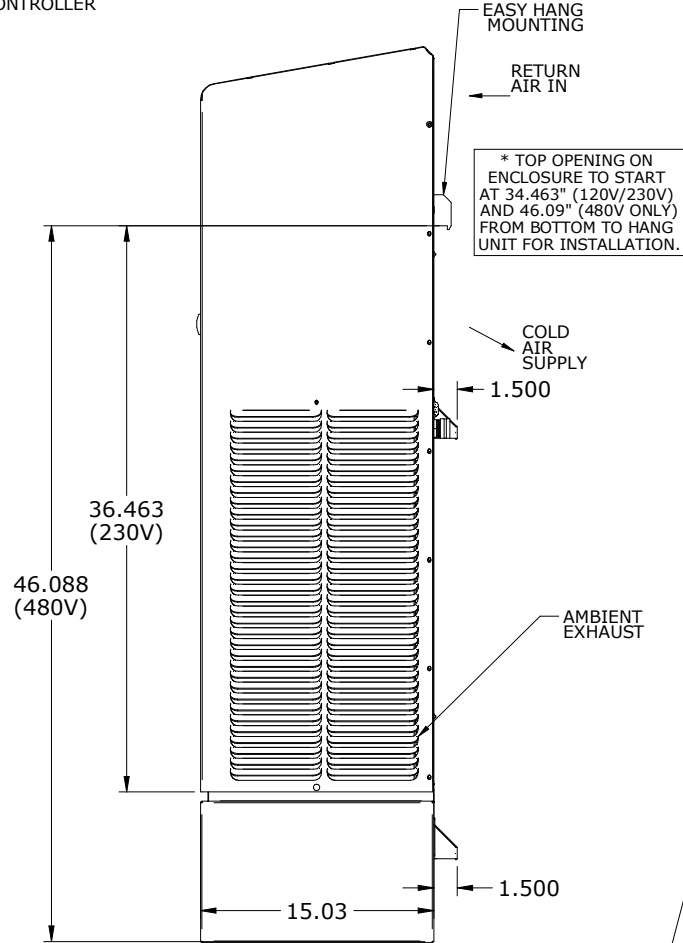
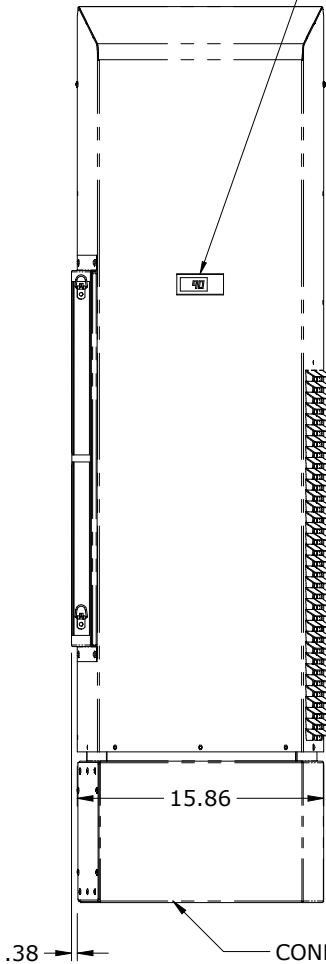
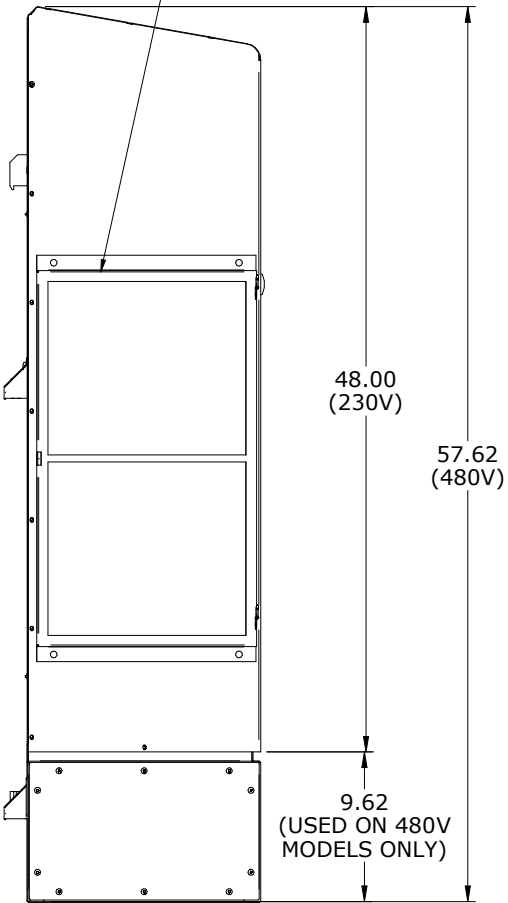


**HIGH CAPACITY HC151 - 15000 BTU/H
230V AND 480V MODELS**



AMBIENT AIR IN.
REUSABLE FILTER:
1) SLIDING 1" FRAME STANDARD
2) 2" FRAME FOR PLEATED FILTER OPTIONAL

DIGITAL
TEMPERATURE
CONTROLLER



SECTION BELOW LINE
ON 480V MODELS ONLY