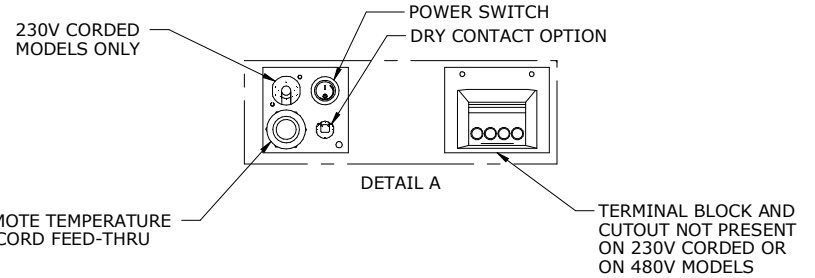


**HIGH CAPACITY HC101 - 10000 BTU/H
120V, 240V, AND 480V MODELS**

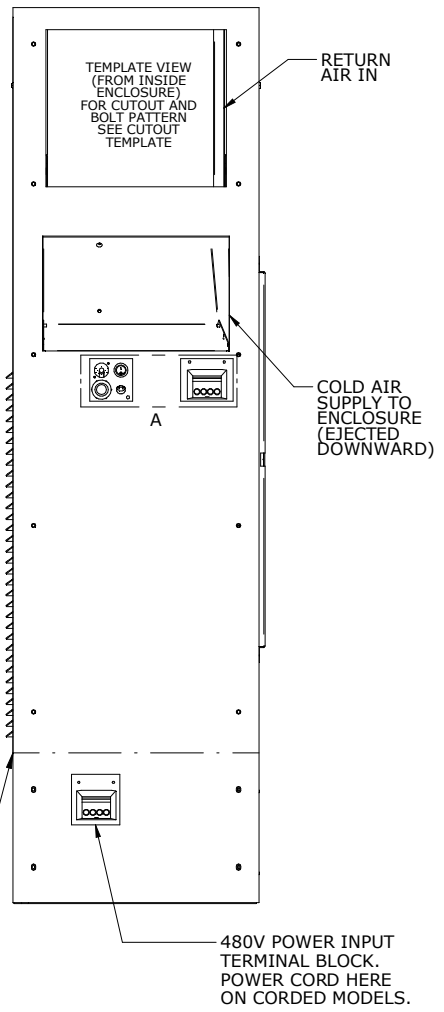
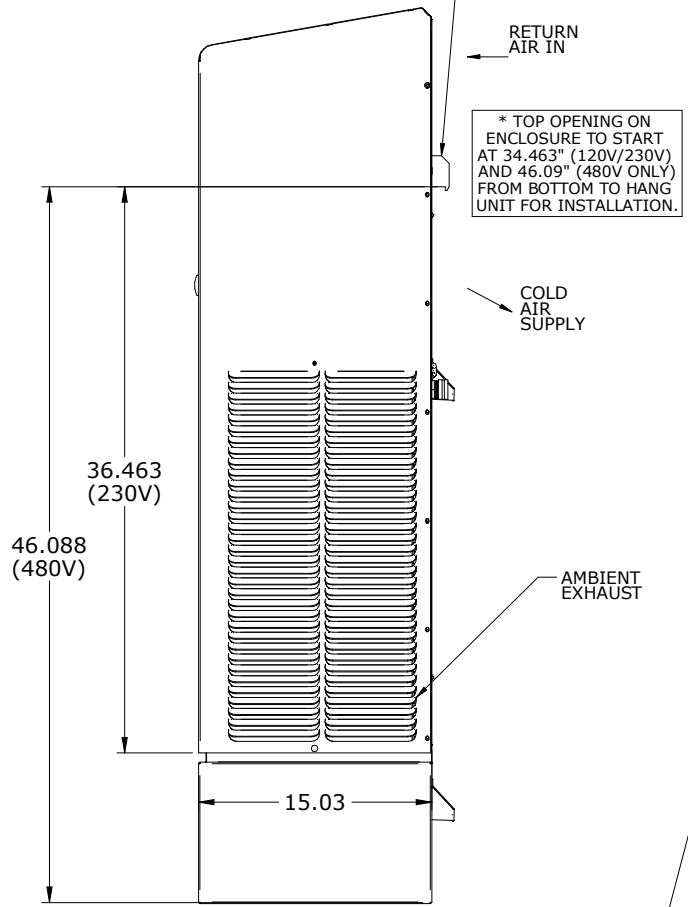
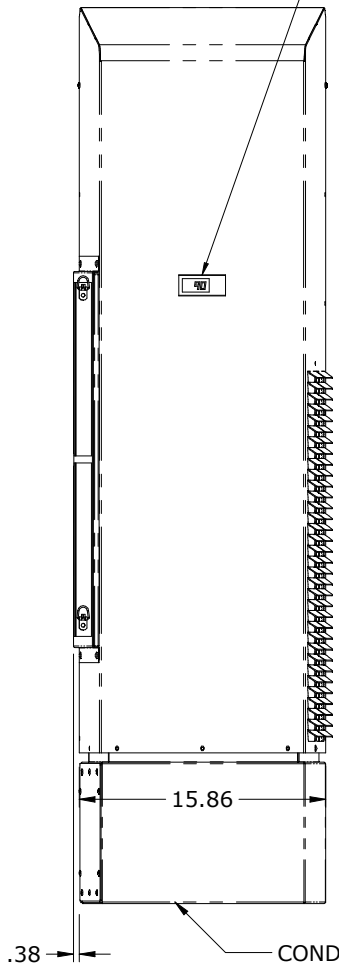
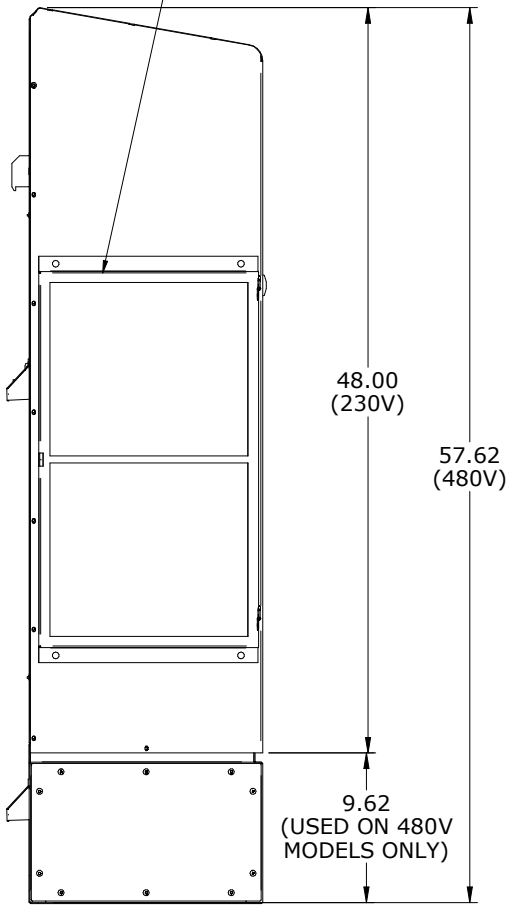
P:\Solid Edge_Distribution\Terminal Block Drawings\Thermal Edge\te_hc_101_termblk_drwing.dft
REVISION A - 4/2/2013



AMBIENT AIR IN. REUSABLE FILTER:
1) SLIDING 1" FRAME STANDARD
2) 2" FRAME FOR PLEATED FILTER OPTIONAL

DIGITAL TEMPERATURE CONTROLLER

OPTIONAL REMOTE TEMPERATURE CONTROLLER CORD FEED-THRU



SECTION BELOW LINE ON 480V MODELS ONLY