

FILTER FAN PACKAGES

Injection Molded Plastic



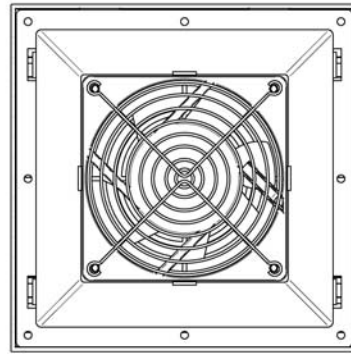
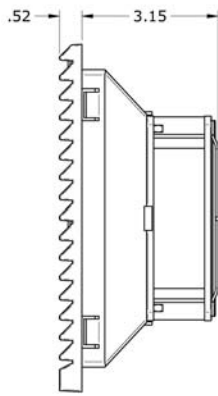
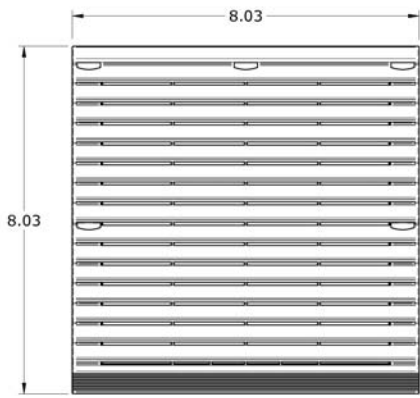
- Mount with Hardware **OR**
- Mount using Integrated Clips up to 14 gauge
- 10 Micron Filtration Fan Side, 50 Micron on Return
- All Kits Include Integrated Gaskets and Mounting Template
- Efficient, Quiet Ball Bearing Fans



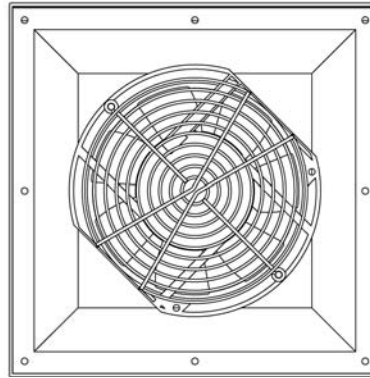
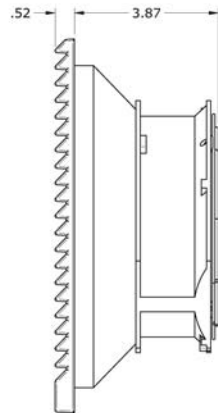
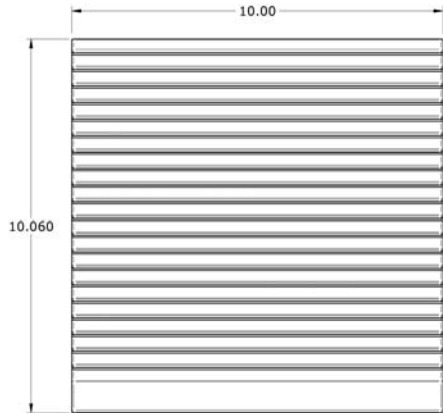
Model	CFM Free Flow	Voltage/Hz	Rated Amps	Temperature Range	RPM
TEI-PFFP-080-126	80	115 / 60	.11	-4F to +176F	2900
TEI-PFFP-080-236	80	208-230/60	.06	-4F to +176F	2900
TEI-PFFP-080-24	80	24VDC	.23	-4F to +176F	3000
TEI-PFFP-100-126	131	115 / 60	0.18	-4F to +176F	3300
TEI-PFFP-100-236	131	208-230/60	0.1	-4F to +176F	3300
TEI-PFFP-100-24	140	24 VDC	0.58	-4F to +176F	3450
TEI-PFFP-200-126	300	115 / 60	0.44	-4F to +176F	3300
TEI-PFFP-200-236-	300	208-230/60	0.23	-4F to +176F	3300
TEI-PFFP-200-24	300	24 VDC	1.42	-4F to + 167F	3300
TEI-PFFP-390-126	393	115 / 60	TBD	-4F to +176F	3300
TEI-PFFP-390-236	393	208-230/60	TBD	-4F to +176F	3300
TEI-PFFP-390-24	393	24 VDC	TBD	-4F to +176F	3450
TEI-PFFP-500-126	750	115/60	0.44	-4F to 158F	2200
TEI-PFFP-500-236	750	208-230/60	0.23	-4F to 158F	2200

Accessory

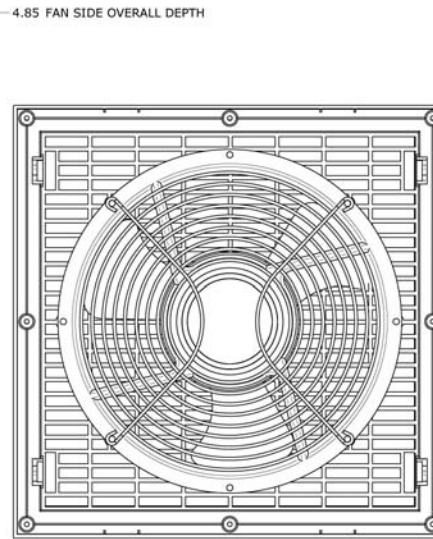
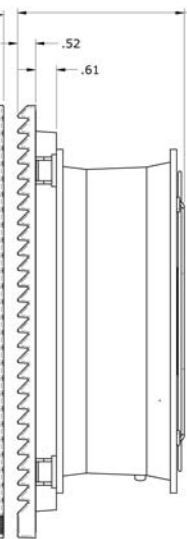
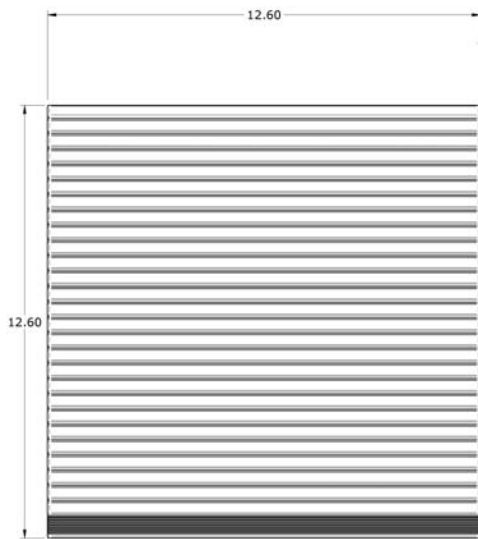
- Enclosure Open Door Kill Switch
- Thermostat Kit



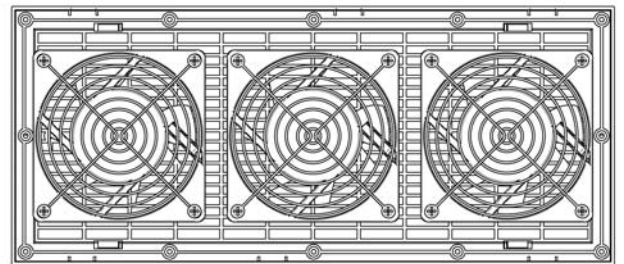
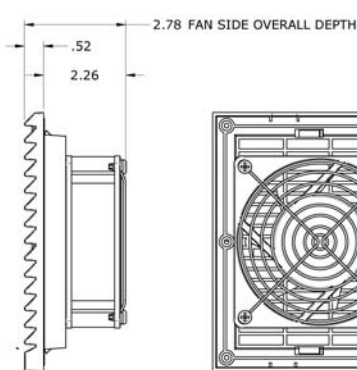
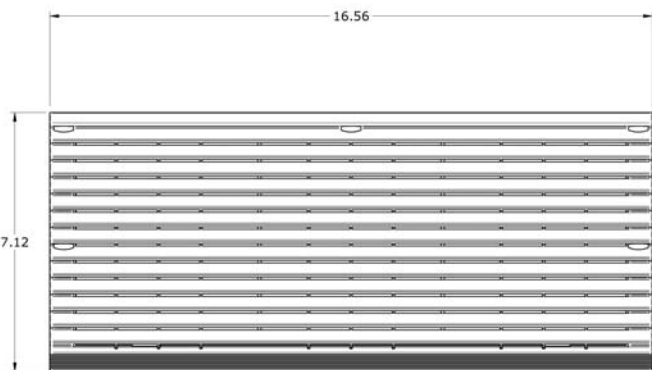
Model PFFP 100
131 CFM



Model PFFP 200
300 CFM



Model PFFP 500
750 CFM



Model PFFP 390
393 CFM

Thermal Edge Filtered Fan Package ELECTROSTATIC POLYPROPYLENE FILTER MEDIA

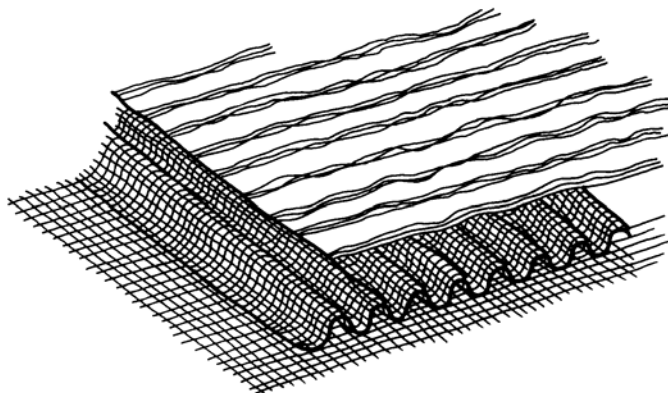
Our unique 1/4" corrugated polypropylene filtration media features an electrostatic charge that assists in filtering dirt, dust and other irritating pollutants from the air. This industrial filter media is a dense, 3 layer, waffle weave configuration, which enhances the filtration abilities and creates a rigid and durable electrostatic air filter.

Additionally, the Thermal Edge air filtration media can be rinsed or vacuum cleaned, and will not degrade over time as foam does.

ACTUAL MATERIAL



DISPLAYING MULTILAYERED MATERIAL



Media	PermaCool Polypropylene
Weave type	3 - D waffle corrugated
U.L. classification	Class 2
Yarn diameter	10 mil
Yarn count (warp/fill)	65/74
Media thickness	.25"
Media weight	10.1 oz per square yard
Temperature rating	Operating 180° F, Melting 325°F
Initial resistance	0.04 inches w.g.
Average arrestance efficiency	63%
Dust holding capacity	100 Grams

Get the Edge...Get Thermal Edge



