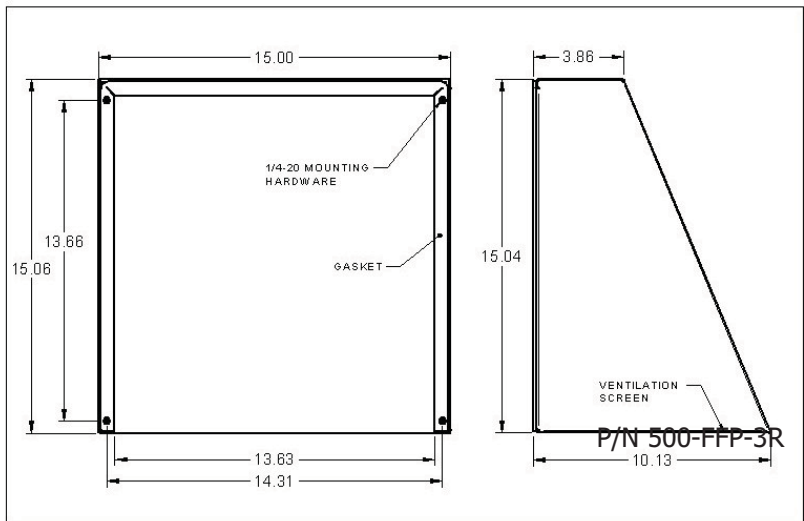
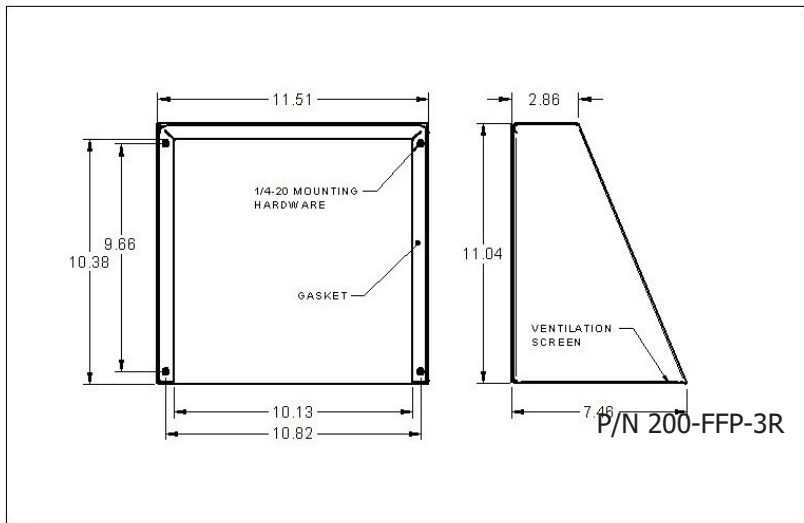
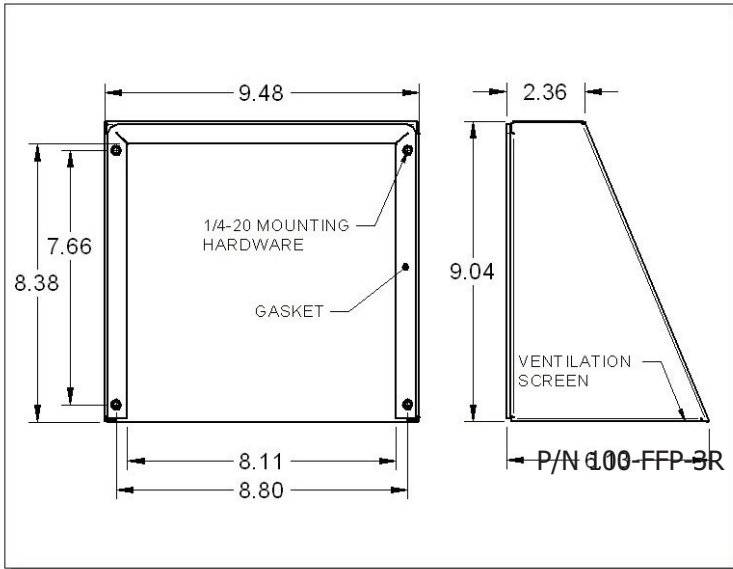


FILTER FAN PACKAGES

Rain Shrouds



Application

Our Fan Shroud Kits are designed to keep the elements out of your enclosure while allowing the free air movement from your filtered fan packages.

Installation

Shrouds come 2 to a kit and are sized to fit neatly over your openings and fans.

Specifics

- 16 Gauge Powder Coated Mild Steel
- Maintains NEMA 3R
- Include Gaskets On All Three Edges
- Kits Include All Mounting Hardware & Template