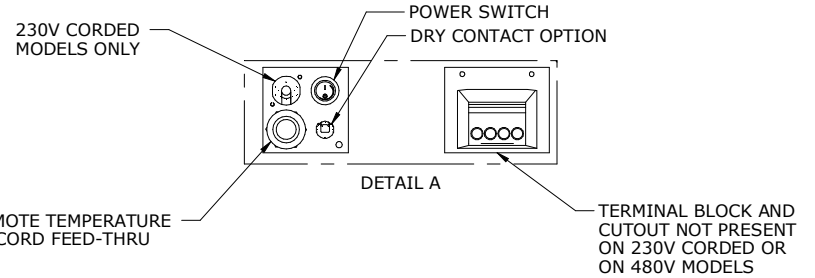


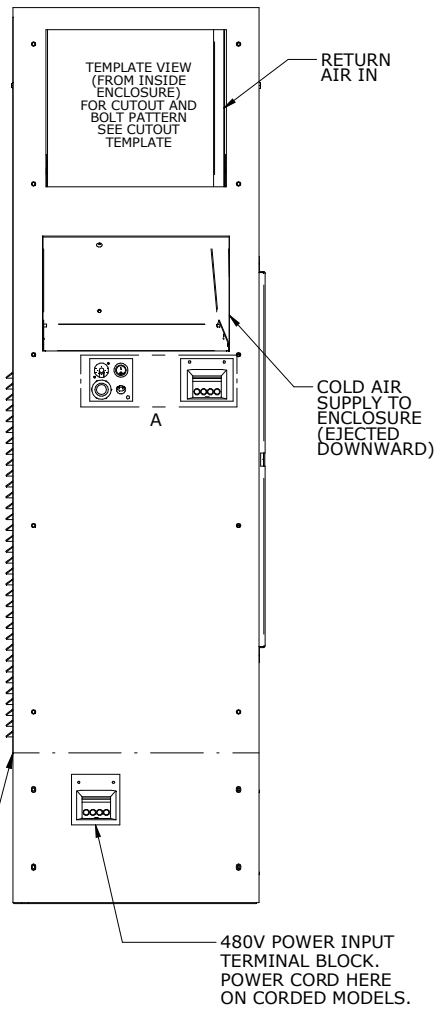
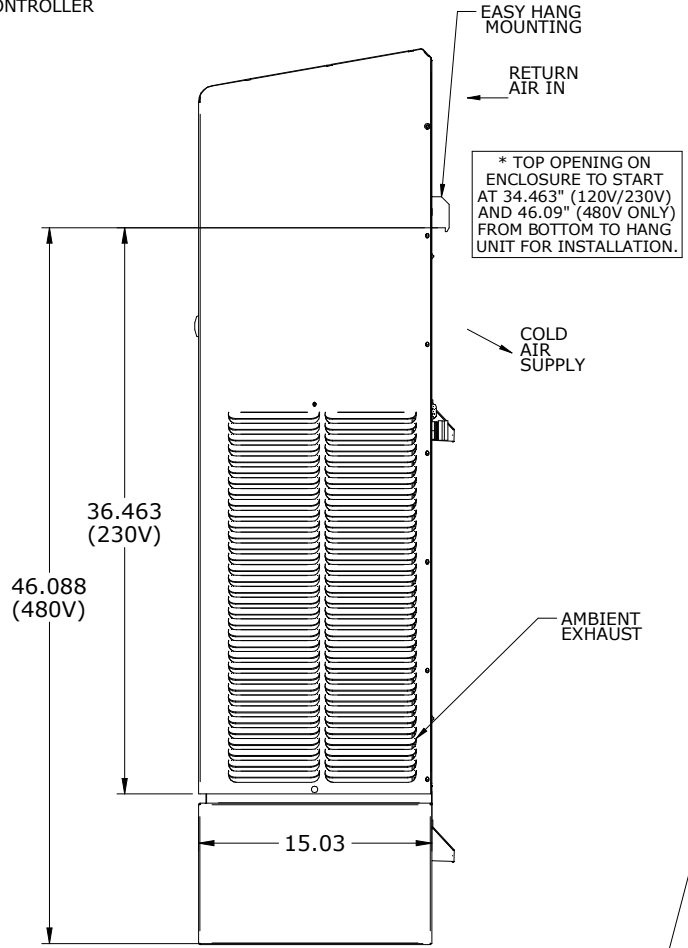
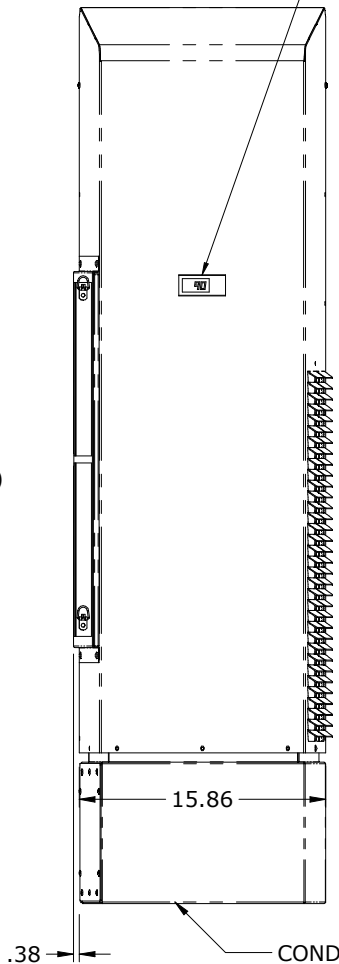
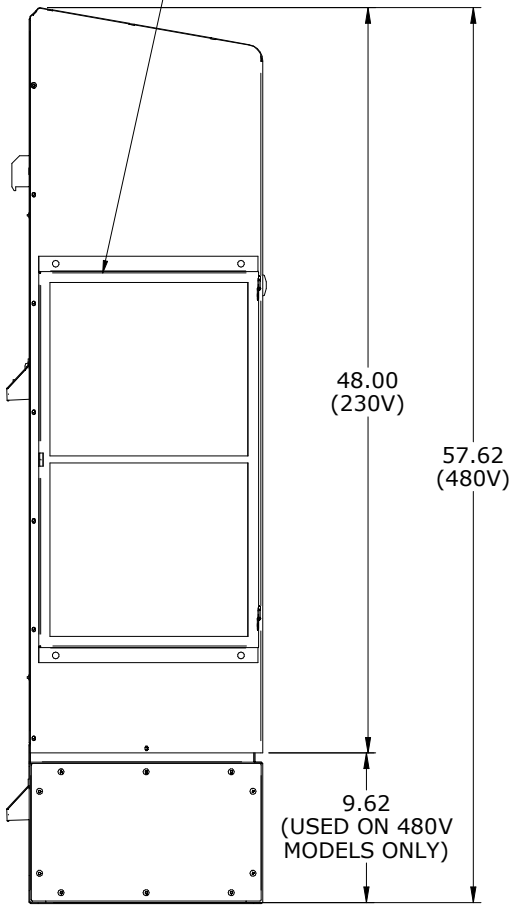
HIGH CAPACITY HC121 - 12000 BTU/H 240V AND 480V MODELS

P:\Solid Edge_Distribution\Terminal Block Drawings\Thermal Edge\te_hc_121_termblk_drwing.dft
REVISION A - 4/2/2013



AMBIENT AIR IN.
REUSABLE FILTER:
1) SLIDING 1" FRAME STANDARD
2) 2" FRAME FOR PLEATED FILTER OPTIONAL

DIGITAL TEMPERATURE CONTROLLER



SECTION BELOW LINE ON 480V MODELS ONLY